

www.cuppon.com.tr

INDEX

GENERAL INFORMATION & WARRANTY CONDITIONS	2
MECHANICAL PARTS	3-4
ELECTRICAL CONNECTIONS	5-26
• Socket Connections	
• Connections	
• Standard Factory Connections	
• Operation Functions	
• PC Software Installation	
MECHANICAL INSTALLATION	27-28
DIGITAL POSITION SWITCH	29-36
• Operation Mode Adjustment	
• Service Contact Information	
• Date - Time and Operation Time Programming	
• Sound Alarms	
• Shutdown	
• Service Settings	
• Installation	
• Installation Settings	
• Tightening Torque Settings	
• Accessories	
• Accumulator Options	
• Compression Treatment	
• Opening Duration	
• Shutdown Stress	
• Service Information Programming	
• PC Communication	
• Language	
• Operation Time Programming (Maintenance Time Application)	
• Wintery Mode - Night Mode Adjustment	
• Interworking	
• Factory Defaults	
ACCESSORIES	37
FAILURE CONDITIONS	38-39
SAFETY WARNINGS	40
TECHNICAL SPECIFICATIONS	41

GENERAL INFORMATION

Please carefully check all mounting and installation instructions and mounting video delivered with the product, before starting mounting and installation. Mistakes occurred during mounting may cause personal and material damages. This product is produced in accordance with notable technical standards and security regulations. Ensure that the architectural components and structures (mounting surfaces of joints, door frames' pulleys etc.) in door entrance openings are proper and strong enough to hold the automation, before mounting. The automatic start up for door is grounded properly in terms of current regulations.

There should be grounding line in the building during the mounting of processor. If there is not, the connections should be secured in accordance with the national regulations. Mounting should be practiced by only qualified personnel. Cut off the electrical supply, before proceeding in the system.

Pay more attention to the danger symbols and notes in this manual. Related symbols and notes are necessary risk warnings that are mentioned to avoid the operator to be damaged or to secure other people. The manufacturer is not responsible for the potential results of not following the works, applications and special regulations on door automation.

WARRANTY CONDITIONS

- 1) Warranty period starts on the delivery date of the product and is 1 year.
- 2) All parts of the product are covered by our company's warranty.
- 3) Should the product fail within the warranty period, the period of repair shall be added to the warranty period. Reparation period of the product shall be maximum 30 business days. This period starts with the notification of failure in the product to service station, if there is no service station, to any one of those, vendor, dealer, agency, importer or manufacturer of the product.
- 4) In case that the product fails within warranty period because of material and workmanship defects, its repair shall be made without demanding any charge for labor, for the replaced parts or under any name whatsoever.
- 5) Failures resulting from using the product without observing the instructions in this operating manual are not covered by the warranty.
- 6) The manufacturer is not responsible for the damages and malfunctions as a result of using the product with the devices of other manufacturers. In case of damages or malfunctions as a result of using the product with other manufacturers' products, the product will not be covered under the terms of warranty. In order to prevent your production to be excluded from warranty, use original equipment and spare parts.

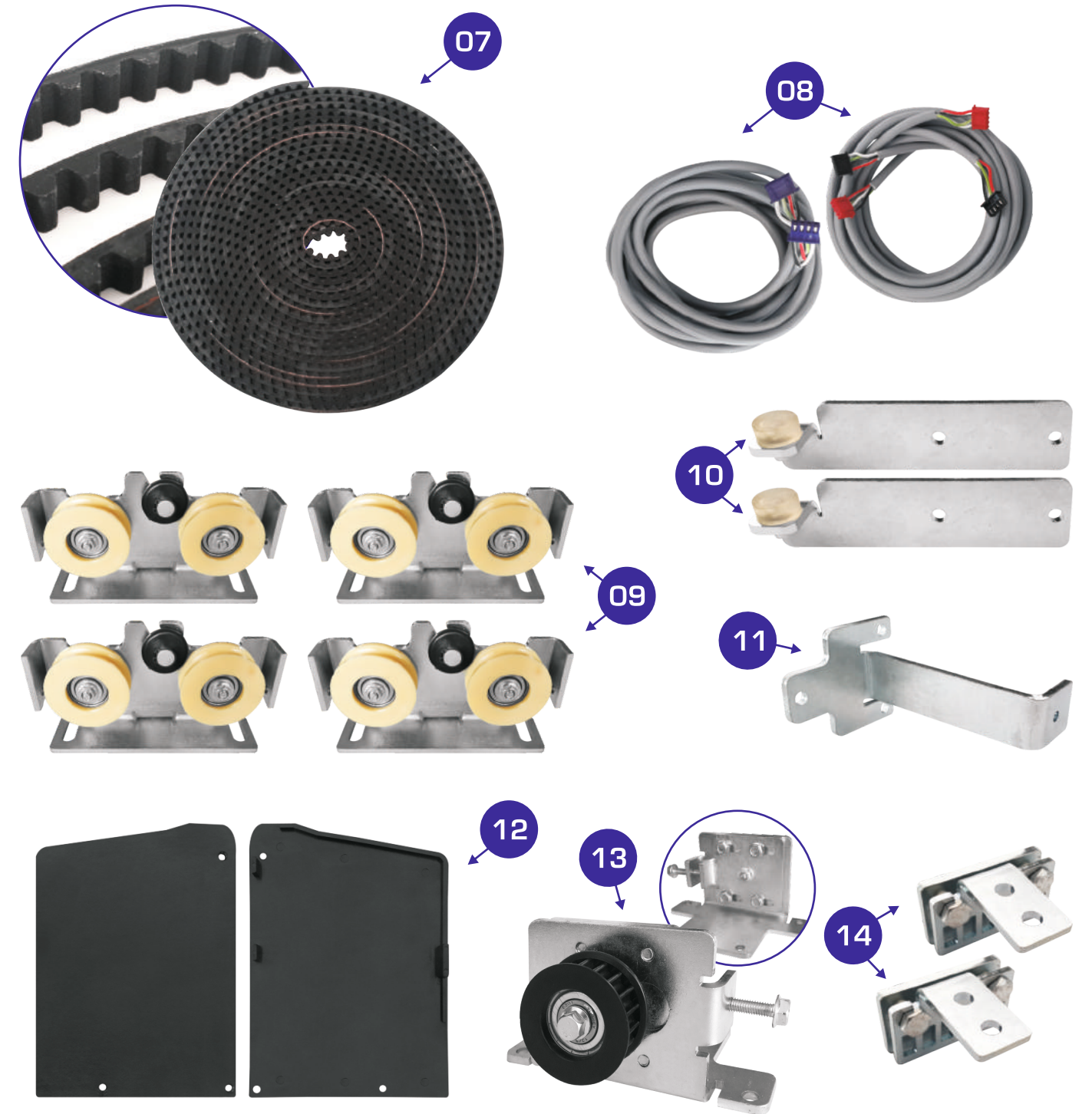
MECHANICAL PARTS

The parts and equipment forming the product are shown in keeping with the order configuration below and side.



NO	DESCRIPTION
01	Microprocessor Control Unit
02	Security Photocell (Receiver - Transmitter)
03	Encoder Motor

NO	DESCRIPTION
04	Radar Movement Sensor (2 Pcs.)
05	Digital Position Switch
06	Power Button

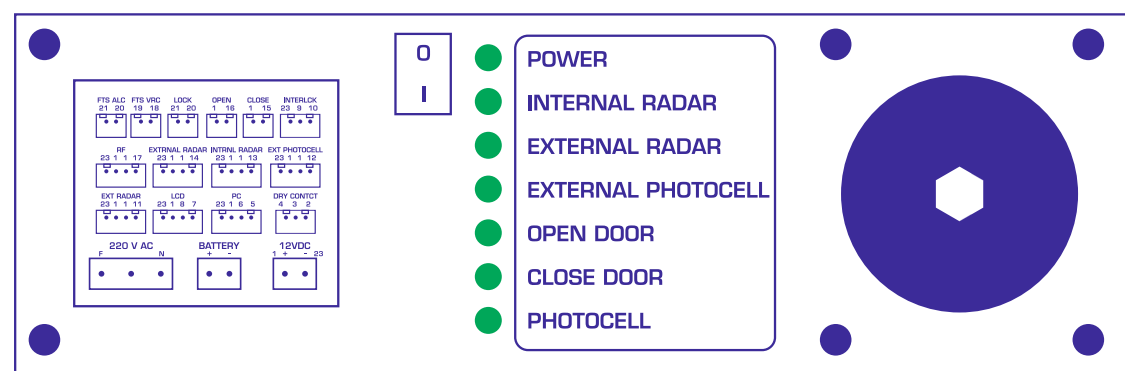
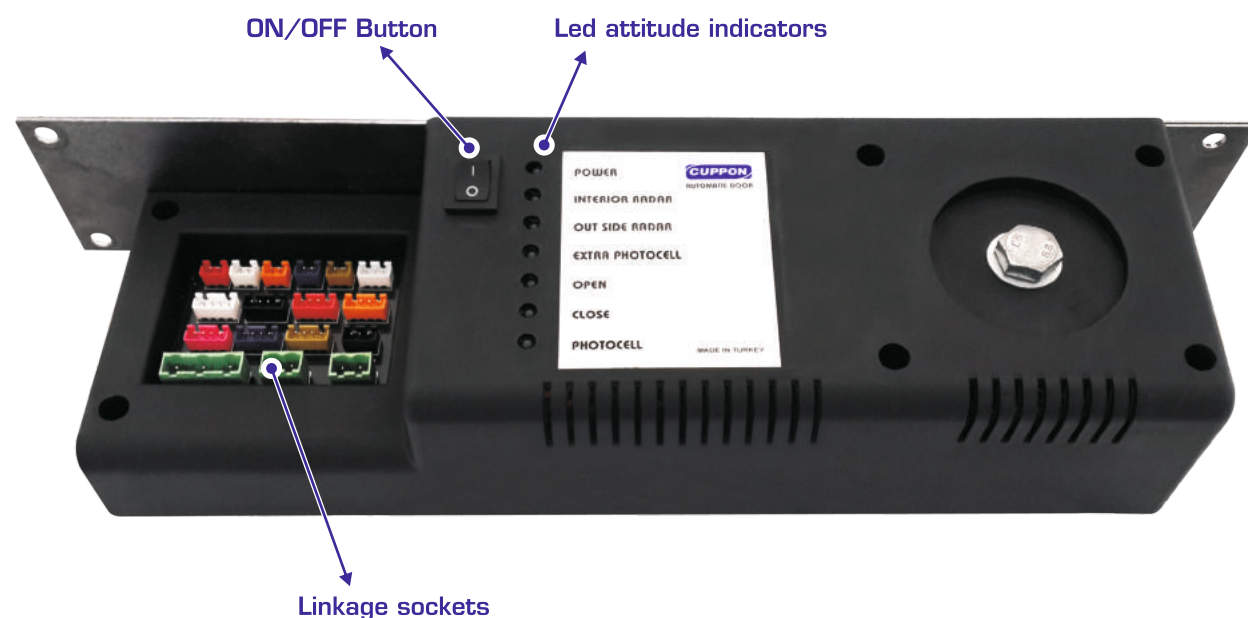


NO	DESCRIPTION
07	Slide
08	Cables
09	Dual Carrier Roller (4 Pcs.)
10	Stopper (2 Pcs.)

NO	DESCRIPTION
11	Door Stabilizer
12	Covers
13	Idler
14	Slide Connection Equipment (2 Pcs.)

SOCKET CONNECTIONS

WARNING: The equipment used in socket connection and mounting should be appropriate to the current regulations and the procedure should be carried out by an authorized personnel.



POWER: Shows there is power in microprocessor assembly.

INTERNAL RADAR: Shows the internal radar is active. The led light flashes when internal radar is active.

EXTERNAL RADAR: Shows the external radar is active. The led light flashes when external radar is active.

EXTERNAL PHOTOCELL: External photocell shows that the meshes match with each other and is active. The led light goes out when there is an object between.

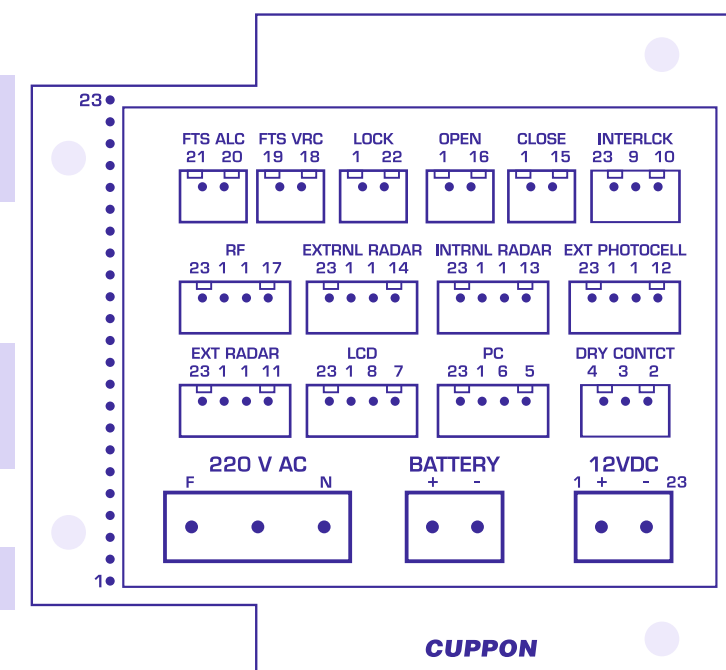
OPEN DOOR: Shows the door opening direction, when commanded. The led light flashes when open door is active.

CLOSE DOOR: Shows the door closing direction, when commanded. The led light flashes when close door is active.

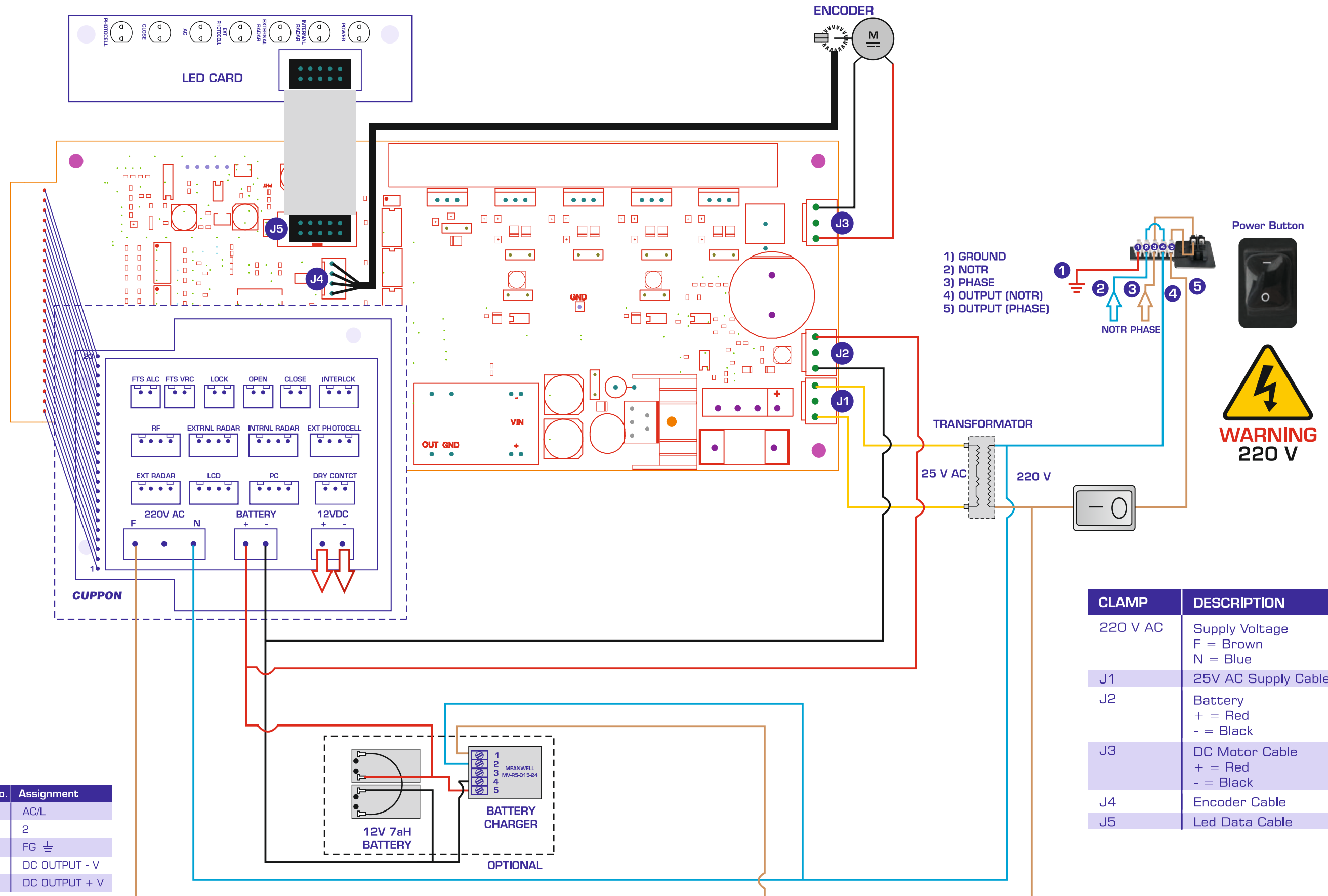
PHOTOCELL: Photocell shows that the meshes match with each other and is active. The led light goes out when there is an object between.

CONNECTIONS

NO	CLAMP	DESCRIPTION
F N	220 V AC	PHASE NOTR
+ -	BATTERY	ACCUMULATOR SOCKET (2 x 12V 7Ah)
1 23	12 V DC	1 = VCC 23 = GND Voltage output required for Radar, photocell and other accessories with maximum 650 mA output current
2-3-4	DRY CONTACT	4 = NC (NORMALLY CLOSE / DRY CONTACT) 3 = COM (COMMON / DRY CONTACT) 2 = NO (NORMALLY OPEN / DRY CONTACT)
5-6	PC	23 = GND 1 = VCC 6 = PC IN - RX 5 = PC OUT - TX
7-8	LCD	23 = GND 1 = VCC 8 = LCD OUT - TX 7 = LCD IN - RX
9-10	INTERLCK	23 = GND 9 = INTERLOCK OUT - TX 10 = INTERLOCK IN - RX
11	EXT RADAR	23 = GND 1 = VCC 11 = DATA
12	EXT PHOTOCELL	23 = GND 1 = VCC 12 = DATA
13	INTERNAL RADAR	23 = GND 1 = VCC 13 = DATA
14	EXTERNAL RADAR	23 = GND 1 = VCC 14 = DATA
15	CLOSE	1 = VCC 15 = DATA
16	OPEN	1 = VCC 16 = DATA
17	RF	23 = GND 1 = VCC 17 = RF DATA
18-19	FTS VRC	19 = PHOTOCELL TRANSMITTER VCC 18 = PHOTOCELL TRANSMITTER DATA
20-21	FTS ALC	21 = PHOTOCELL RECEIVER VCC 20 = PHOTOCELL RECEIVER DATA
22	LOCK	1 = VCC 22 = DATA



STANDARD FACTORY CONNECTIONS



Pin No.	Assignment
1	AC/L
2	2
3	FG \perp
4	DC OUTPUT - V
5	DC OUTPUT + V

CLAMP	DESCRIPTION
220 V AC	Supply Voltage F = Brown N = Blue
J1	25V AC Supply Cable
J2	Battery + = Red - = Black
J3	DC Motor Cable + = Red - = Black
J4	Encoder Cable
J5	Led Data Cable

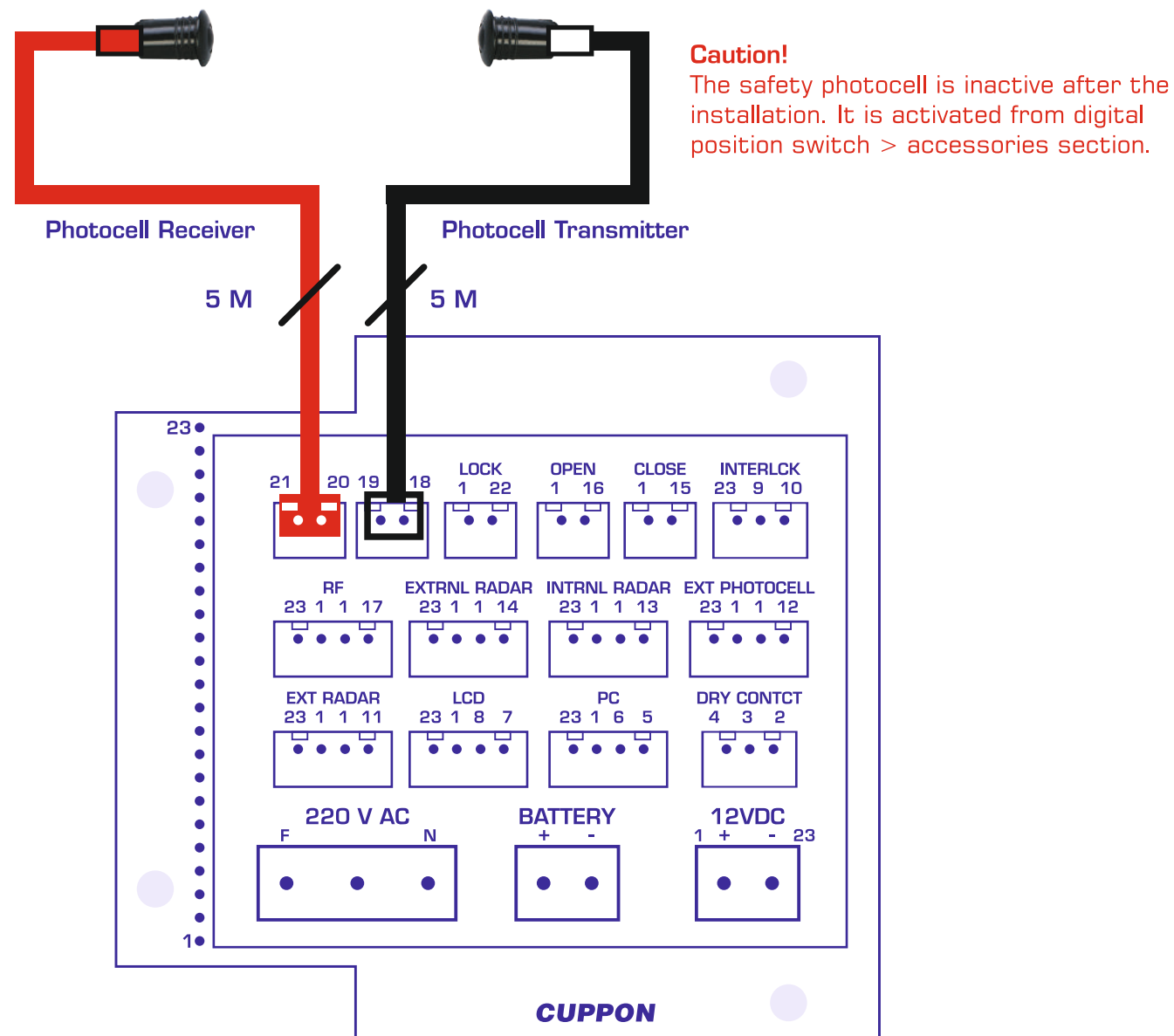
OPERATION FUNCTIONS

Photocell Receiver / Photocell Transmitter

Safety photocell identifies the obstacle between, during the closing direction movement of the door.

In order to provide optimal performance the Receiver and the Transmitter should be in the same device. The distance between the Photocell Transmitter (White) and the Photocell Receiver (red) must be maximum 15 meters. Meshes should be vertical and on the same align. When the meshes on Transmitter and Receiver see each other, the Photocell led light on the microprocessor assembly flashes, if not it goes out. If the Photocell Led Light does not flash, check the locations of meshes and adjust them to see each other.

The length of Photocell Transmitter (TX) and Photocell Receiver (RX) cables is 5 meters. In order to recognize the cables and meshes of receiver and / transmitter, the Receiver (RX) socket is red and the Transmitter (TX) socket is white.

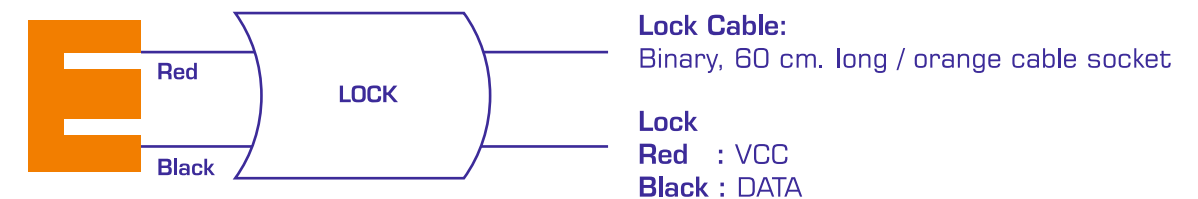
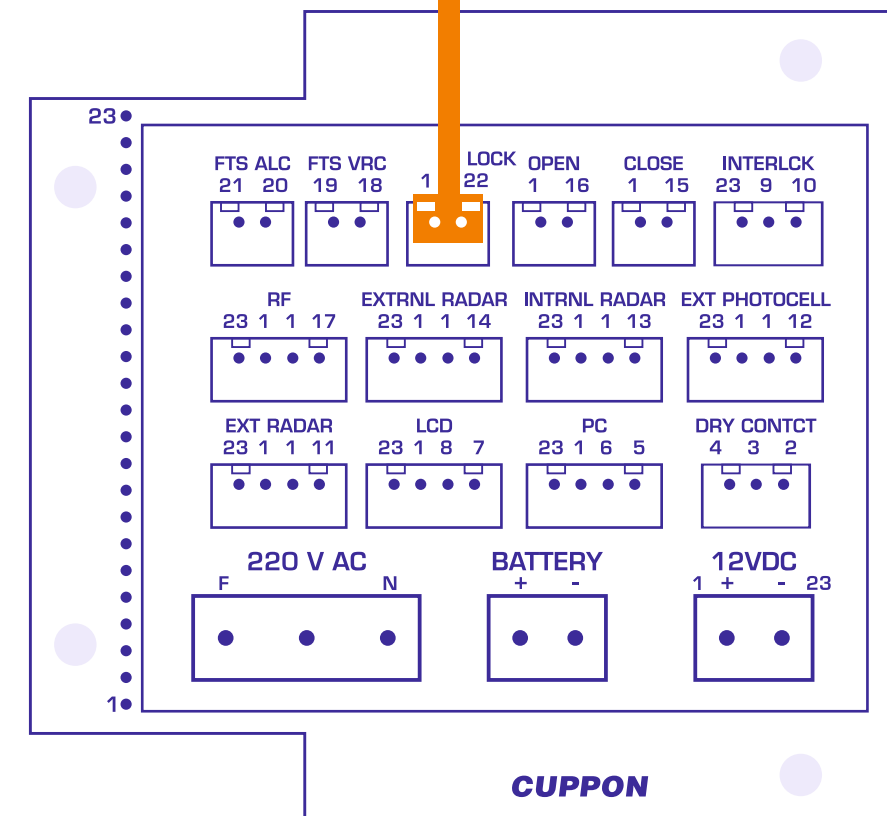
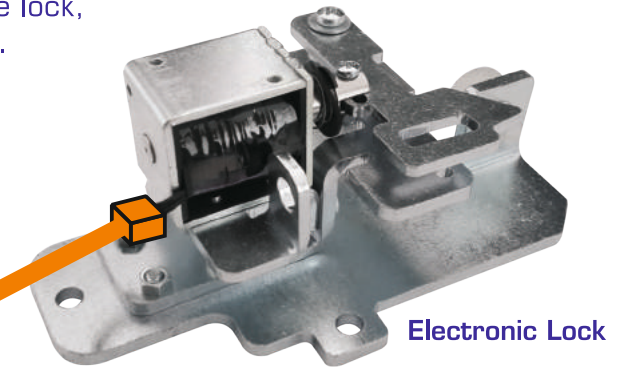


OPERATION FUNCTIONS

Electronic Lock

The lock system mounted on the door can be activated from the digital position switch. In addition, the electronic lock applies pressure to the door towards the closing direction of the door, before the opening movement and provides movement of the lock, in order to gain healthy operation of the lock system.

Caution!
The electronic lock is inactive after the installation. It is activated from digital position switch > accessories section.

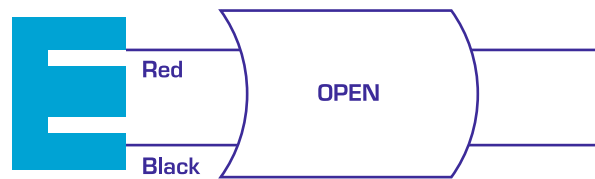
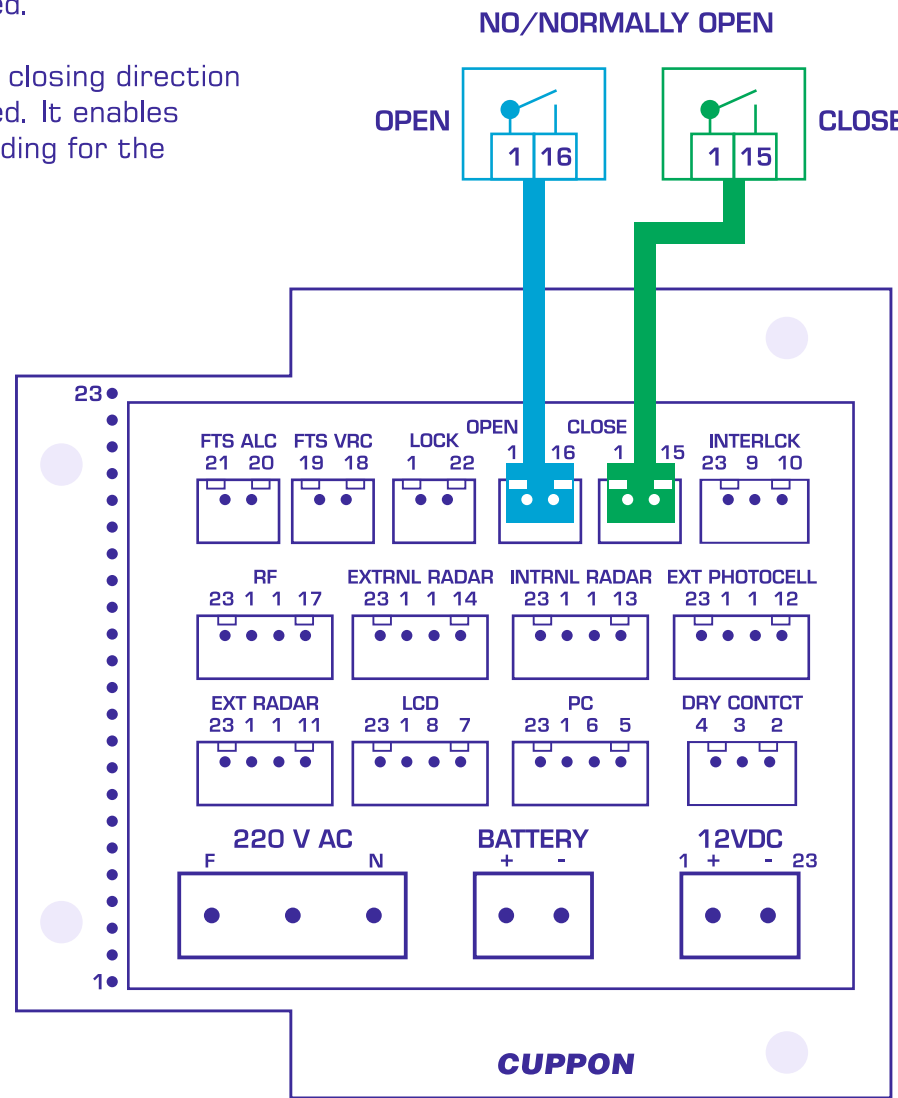


OPERATION FUNCTIONS

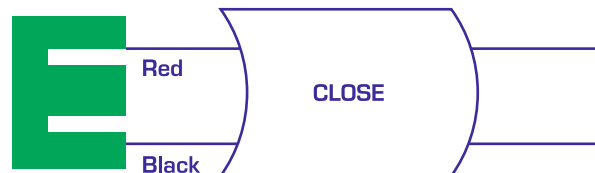
Open Door / Close Door

Open input moves towards opening direction of the door when commanded.

Close input, moves towards closing direction of the door when commanded. It enables closing the door without holding for the waiting period.



Open Cable:
Binary, 1 mt. long / blue cable socket
OPEN
Red : VCC
Black : DATA

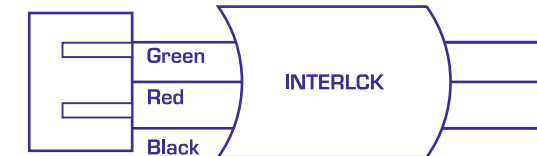
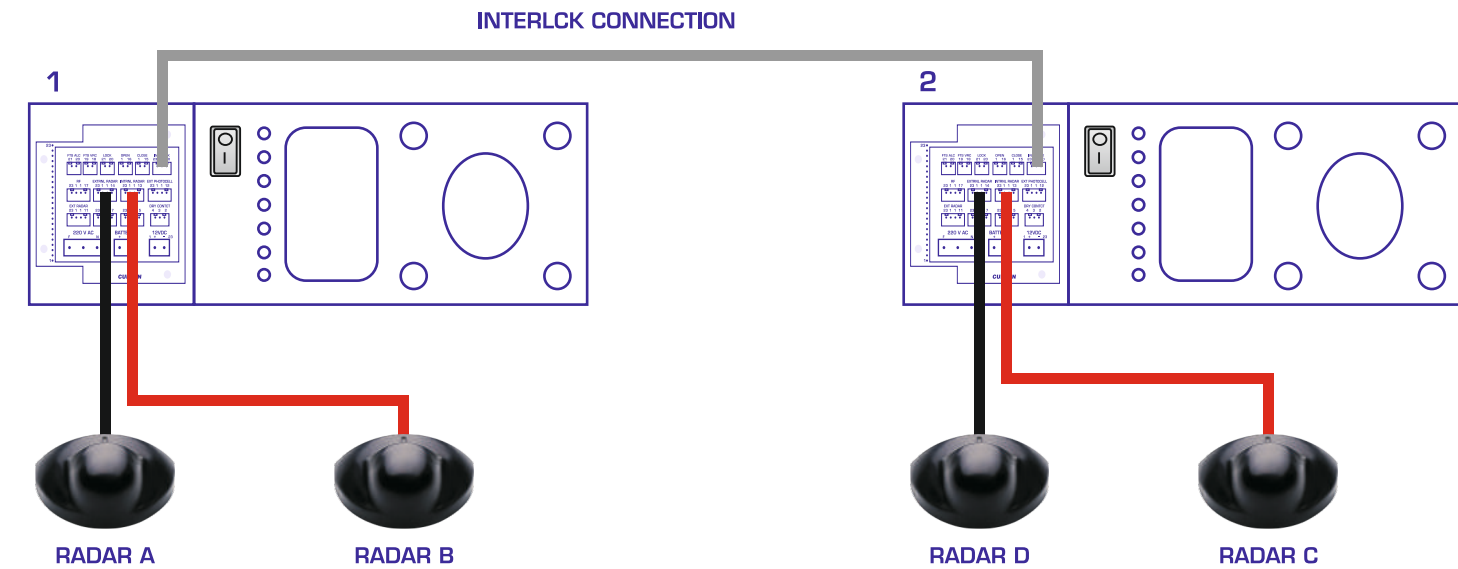
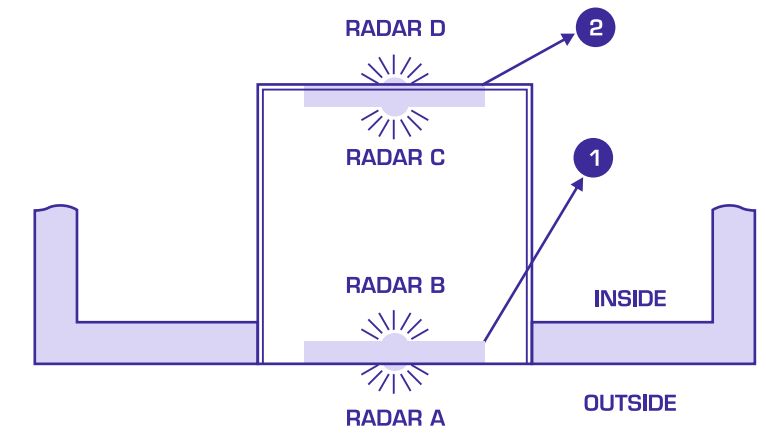


Close Cable:
Binary, 1 mt. long / green cable socket
Close
Red : VCC
Black : DATA

OPERATION FUNCTIONS

Interlock

Interlock is the connection of two doors with serial communication line. Door 1 and door 2 are operated in contact with each other. When entering from out, Door 1 is open when door 2 is closed. Door 2 is activated after Door 1 is closed. When going out from inside, door 2 is opened and door 1 is closed. Door 1 is activated after Door 2 is closed.



Interlock Cable:
3 pin, 1 mt. long / white cable socket
A - Interlock
Black : GND
Red : INTERLCK OUT - TX
Green : INTERLCK IN - RX



External Radar Cable:
4 pin, 2,5 mt. long / black cable socket
B - External Radar
Black : GND Green : VCC
Red : VCC White : DATA



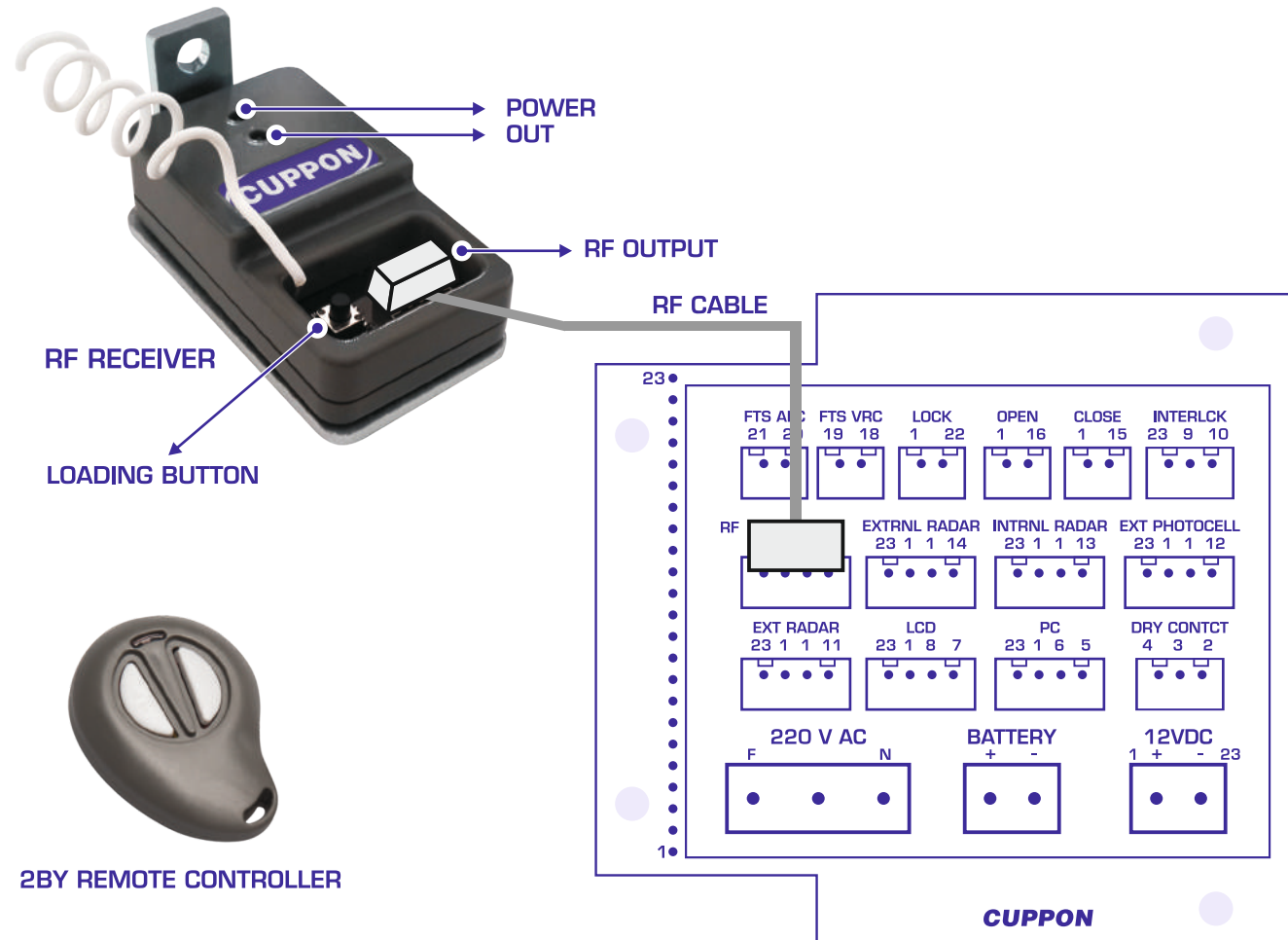
Internal Radar Cable:
4 pin, 2,5 mt. long / red cable socket
C - Internal Radar
Black : GND Green : VCC
Red : VCC White : DATA

OPERATION FUNCTIONS

RF Receiver

It enables the control of the door with remote control. RF receiver module is operated by 2 way remote control (2BY). The power led light flashes when the module RF is connected to socket cardboard by a cable. In order to identify the remote control to the receiver assembly, press Loading Button and "1" key on the remote control at once, and perform the identification procedure. You are allowed to load maximum 42 passwords to a receiver assembly.

When "1" One key of remote control is pressed, the door leaf moves towards opening direction. When "2" Two key of remote control is pressed the Digital position switch is closed. To activate the system again, the power key on the Digital position switch or the "2" two key of the remote control should be pressed.



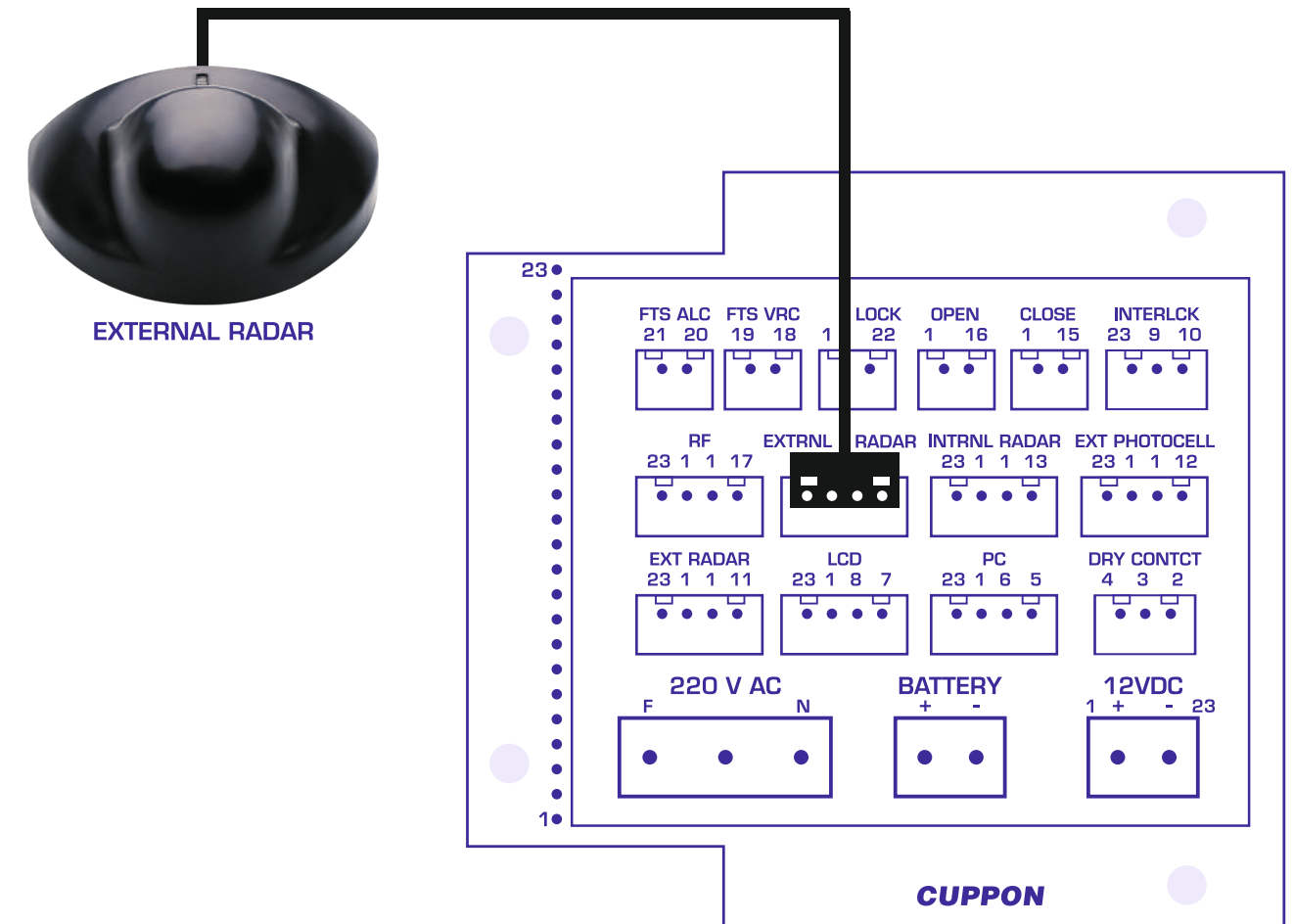
RF Cable:
4 pin, 60 cm. long / white cable socket

RF
Black : GND Green : VCC
Red : VCC White : RF DATA

OPERATION FUNCTIONS

External Radar

This is the radar that detects the movement out of the door mechanism. When exterior radar is activated by detecting the object, the "Exterior Radar" Led light on microprocessor assembly flashes and the door moves towards opening direction.



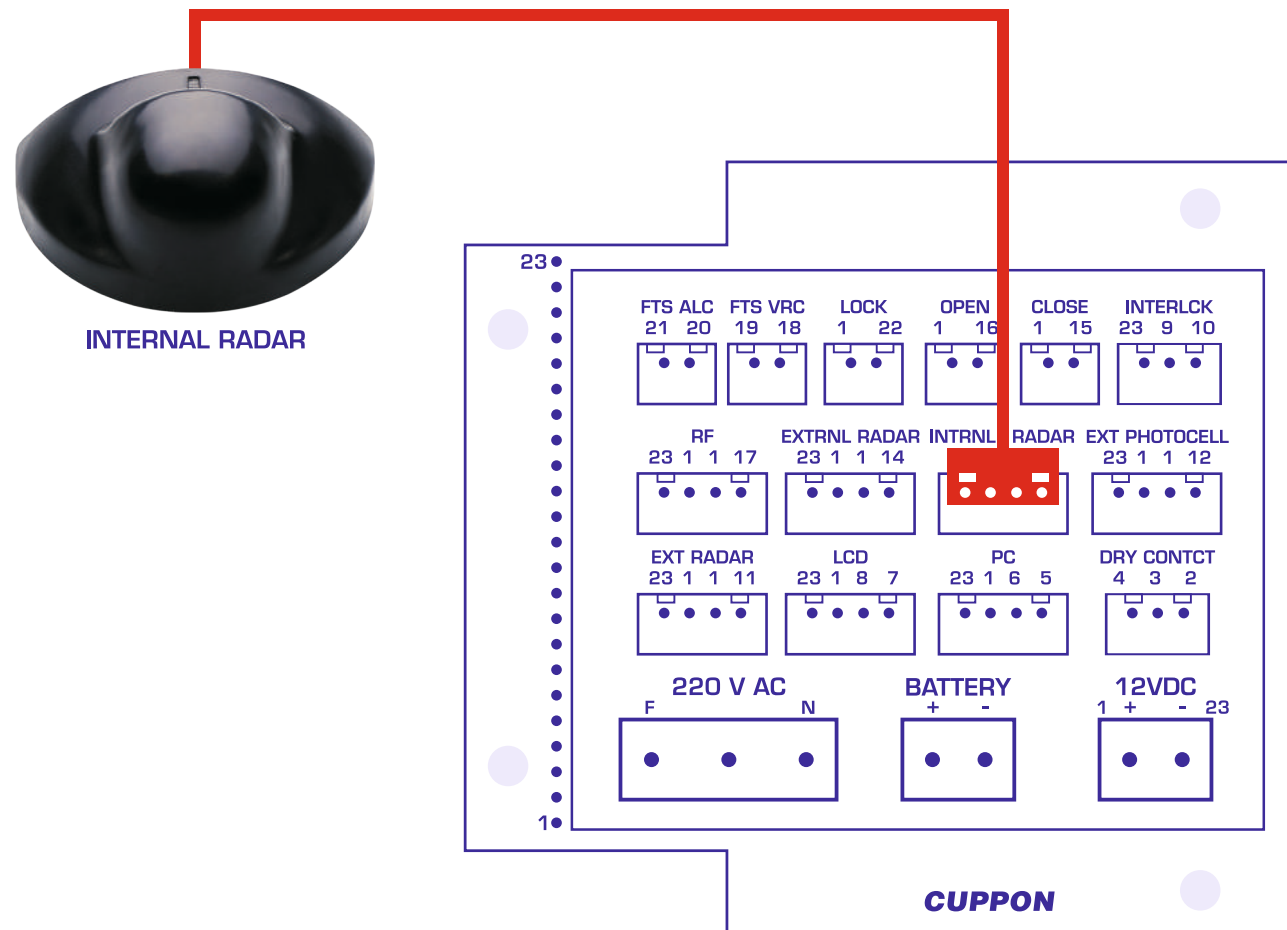
External Radar Cable:
4 pin, 2,5 mt. long / black cable socket

External Radar
Black : GND Green : VCC
Red : VCC White : DATA

OPERATION FUNCTIONS

Internal Radar

This is the radar that detects the movement inside the door mechanism. When interior radar is activated by detecting the object, the "Interior Radar" Led light on microprocessor assembly flashes and the door moves towards opening direction



Internal Radar Cable:
4 pin, 2,5 mt. long / red cable socket

Internal Radar
Black : GND Green : VCC
Red : VCC White : DATA

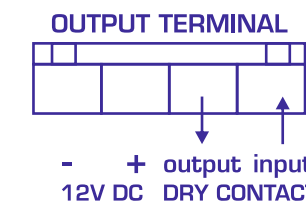
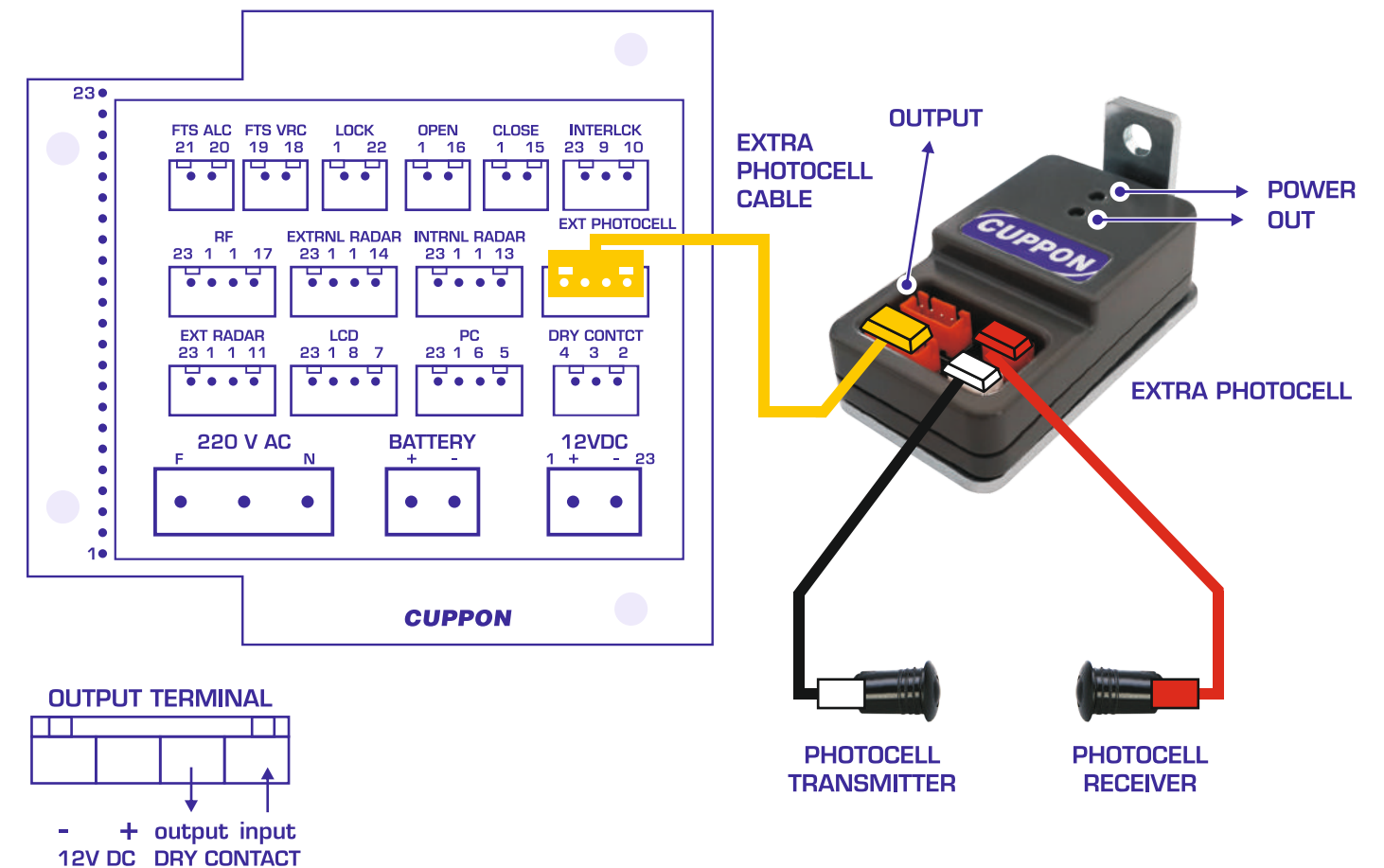
OPERATION FUNCTIONS

External (Extra) Photocell

The POWER led light flashes when power is supplied to external photocell module. The distance between the Photocell Transmitter (White) and the Photocell Receiver (red) must be maximum 15 meters. Meshes should be vertical and on the same align. When External Photocell transmitter and receiver meshes see each other, the OUT Led light flashes constantly, if not, the OUT led light does not flash. In case of the OUT led light does not flash, check the locations of meshes and adjust them to see each other.

When the meshes on External Photocell Transmitter and Receiver see each other, the External Photocell led light on the microprocessor assembly flashes, if not, it goes out.

The length of Photocell Transmitter (TX) and Photocell Receiver (RX) cables is 5 meters. In order to recognize the cables and meshes of receiver and / transmitter, the Receiver (RX) socket is red and the Transmitter (TX) socket is white.



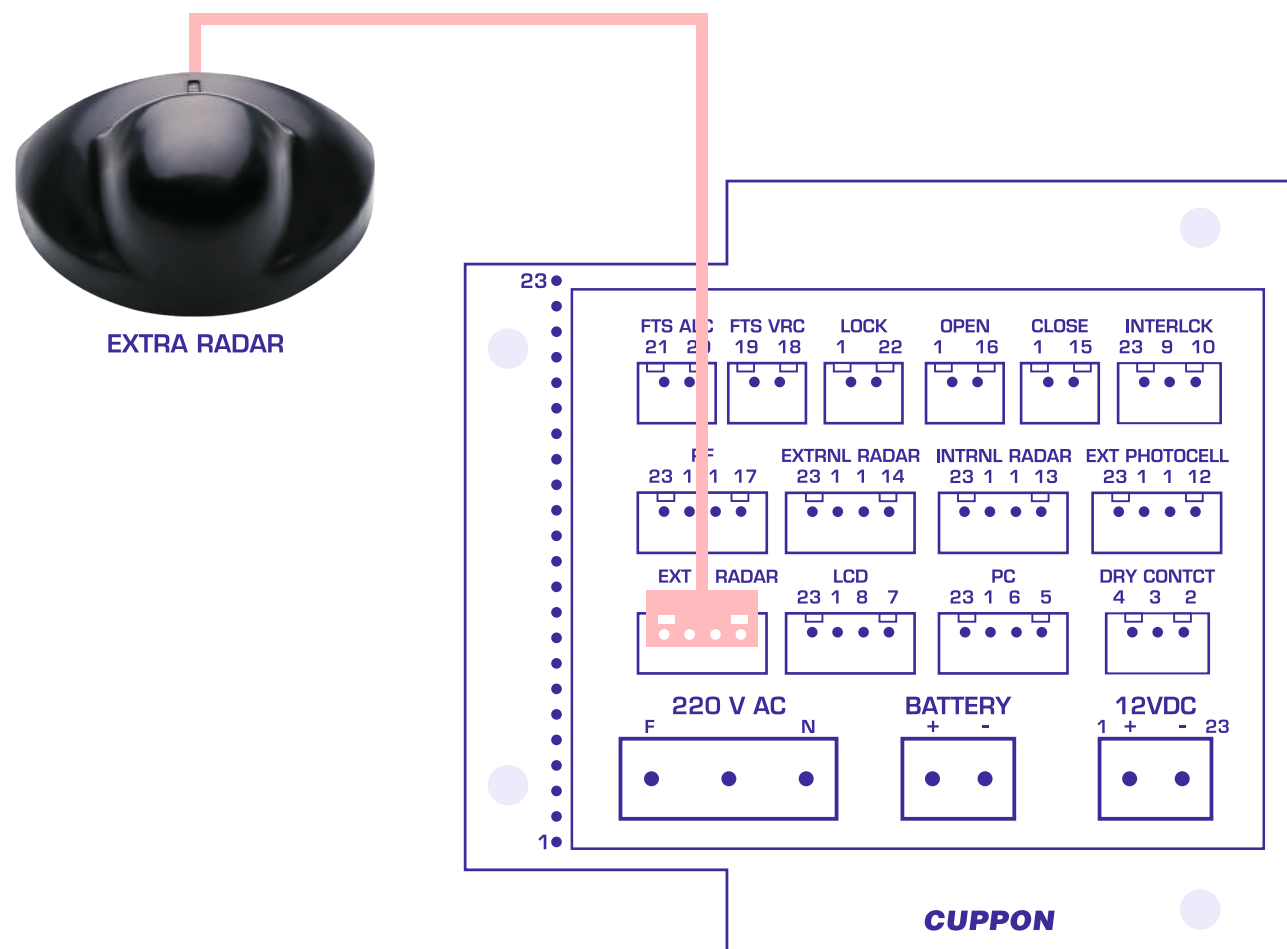
Extra Photocell Cable:
4 pin, 60 cm. long / yellow cable socket

Extra Photocell
Black : GND Green : VCC
Red : VCC White : DATA

OPERATION FUNCTIONS

Extra Radar

Beside the extra radar, external hardware such as SNRF Numerator & RF Card Reader, SDA Touch Switch, SELS Hand Sensor can be connected to the system using the extra radar input. Refer to external hardware section for details.



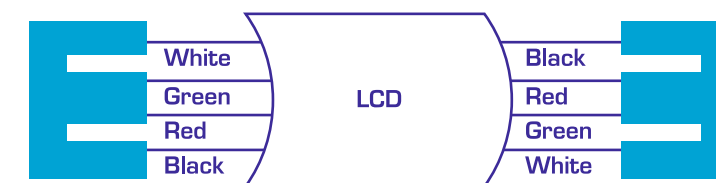
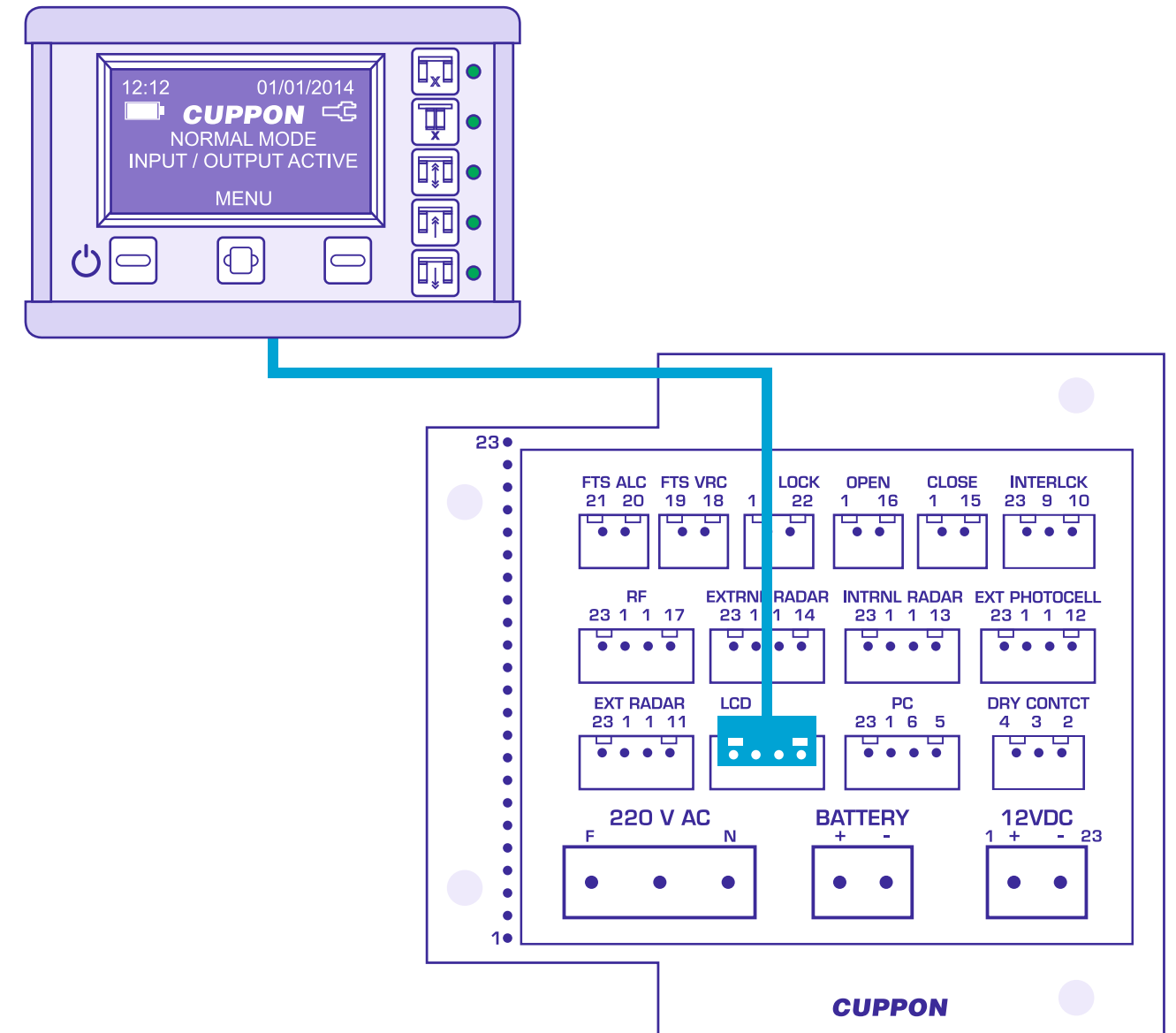
Extra Radar Cable:
4 pin, 2,5 mt. long / pink cable socket

Extra Radar
Black : GND Green : VCC
Red : VCC White : DATA

OPERATION FUNCTIONS

LCD

It is the connection point of Digital position switch. All adjustments of door are made from the Digital position switch. Refer to Digital Position Switch page (29) for details.



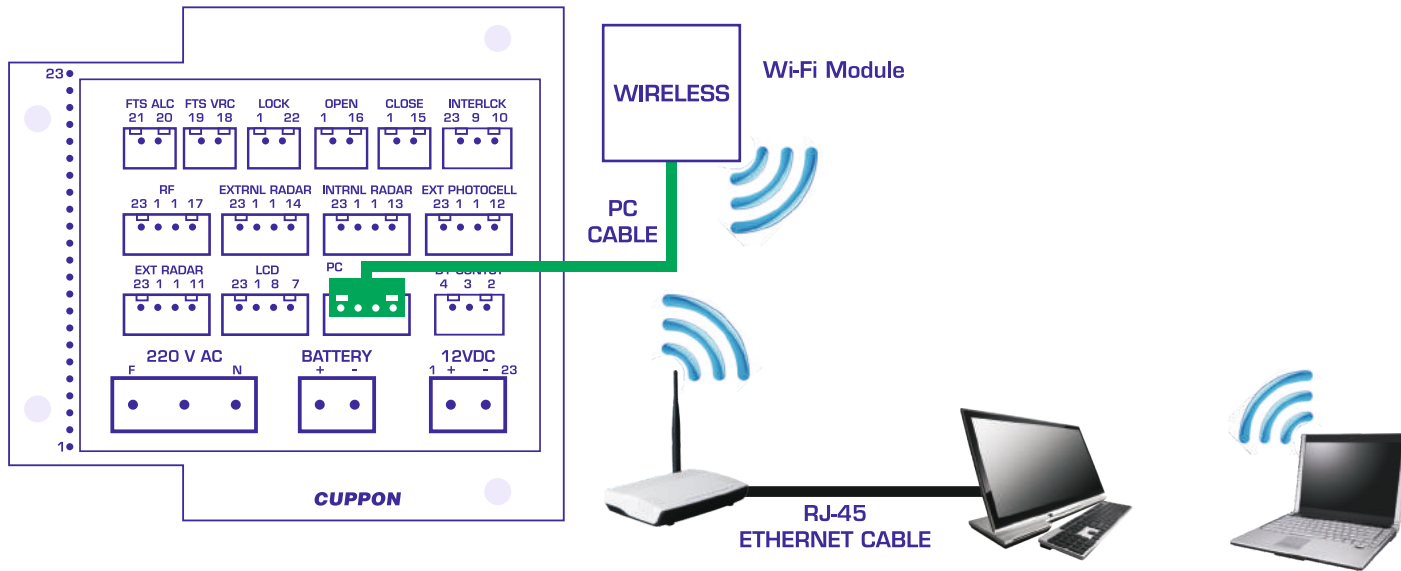
LCD Cable:
4 pin, 3 mt. long / blue cable socket

LCD
Black : GND Green : LCD OUT - TX
Red : VCC White : LCD IN - RX

OPERATION FUNCTIONS

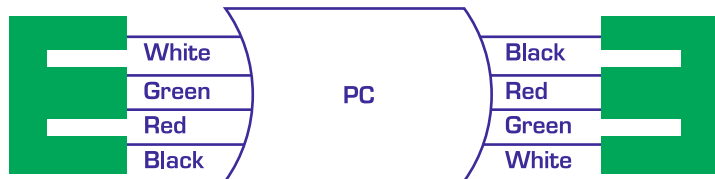
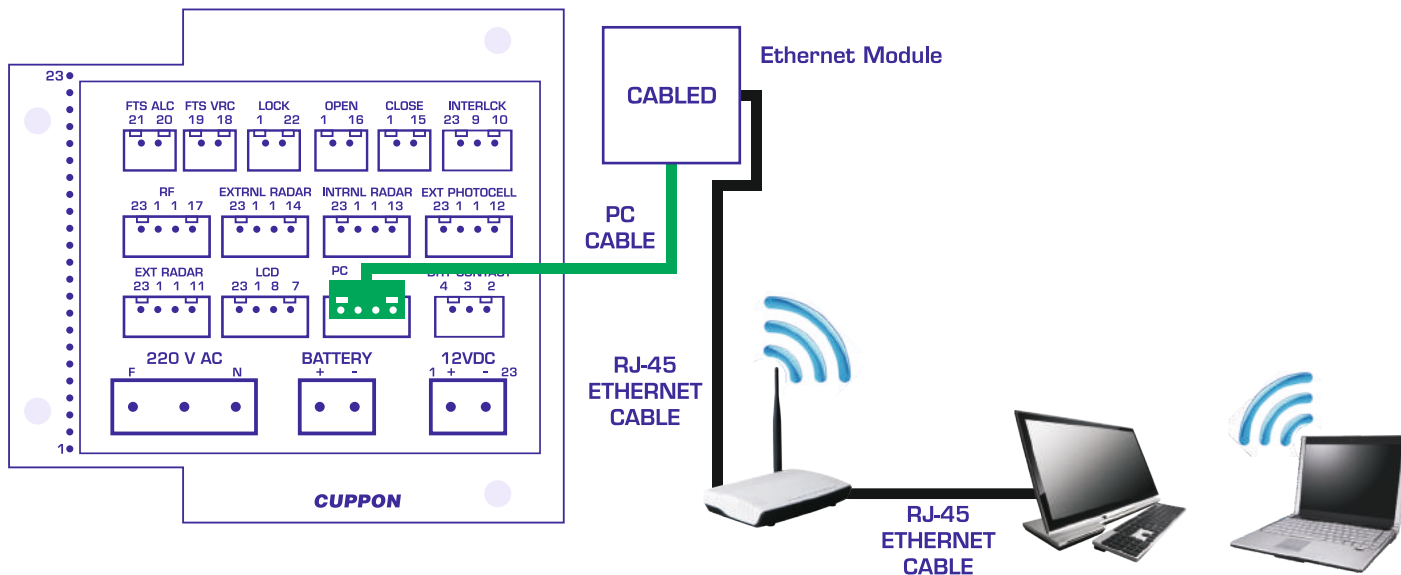
PC Wireless Connection

Install the CSD 200 automatic door adjustment software, delivered with Wi-Fi module.



PC Cabled Connection

Install the CSD 200 automatic door adjustment software, delivered with Ethernet module.

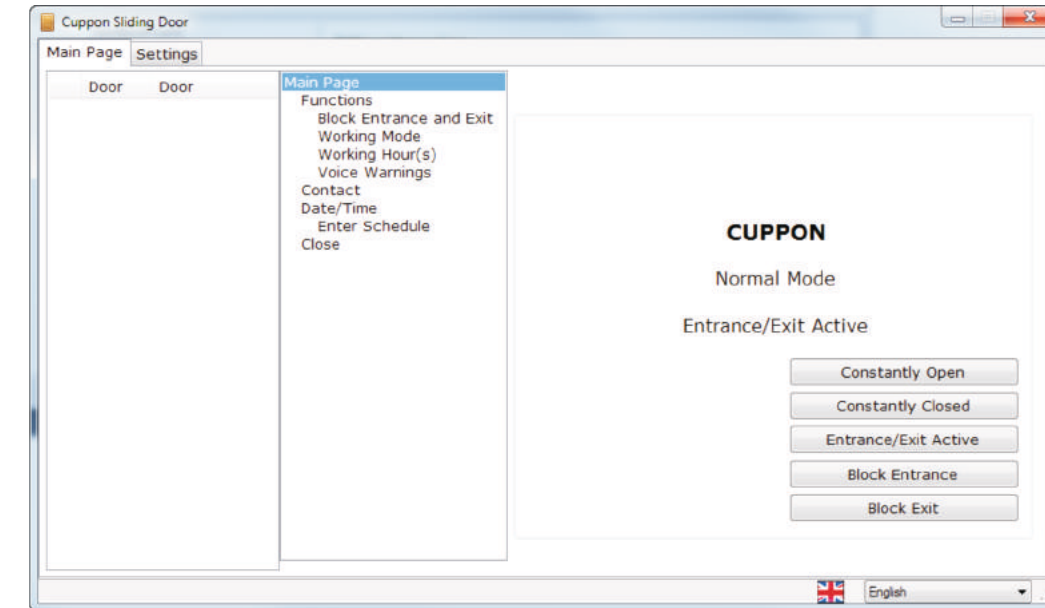


PC Cable:
4 pin, 60 cm. long / green cable socket

PC
Black : GND
Red : VCC
Green : PC IN - RX
White : PC OUT - TX

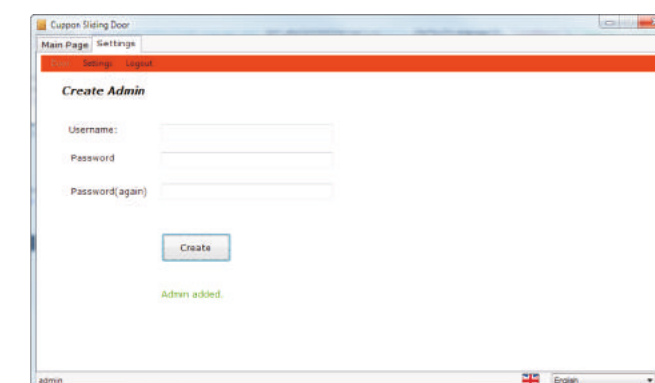
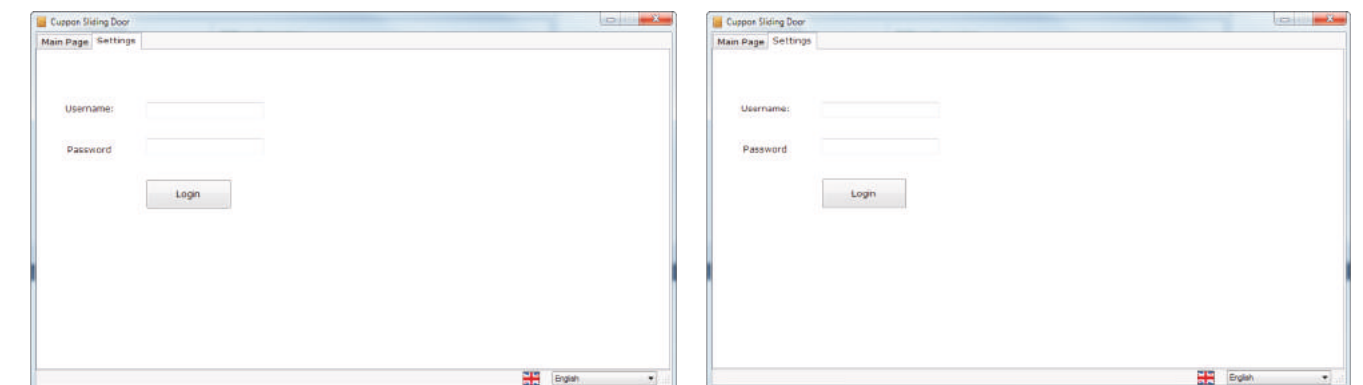
PC SOFTWARE INSTALLATION

When you launch the program first time, you see the screen below.



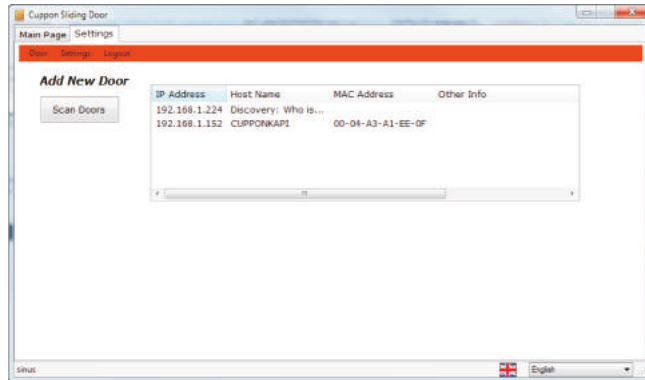
You need to create an administrator username and password to manage door settings. Click the "Settings" tab on the top left, and login with admin/1234

Once you have logged in, the program forces you to create a new username and password. After creating a new username, you need to logout and re-login with the new username and password.

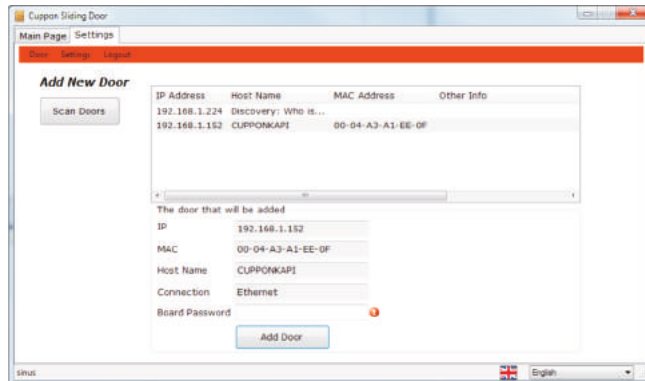


PC SOFTWARE INSTALLATION

After logging into the software, please click the Door > “Add New Door” pulldown menu item on the top left. The doors on the same network are already populated on the screen however you can click “Scan Doors” button to scan the new doors on the same network again. The first row is the computer itself and the second row is a door network interface.

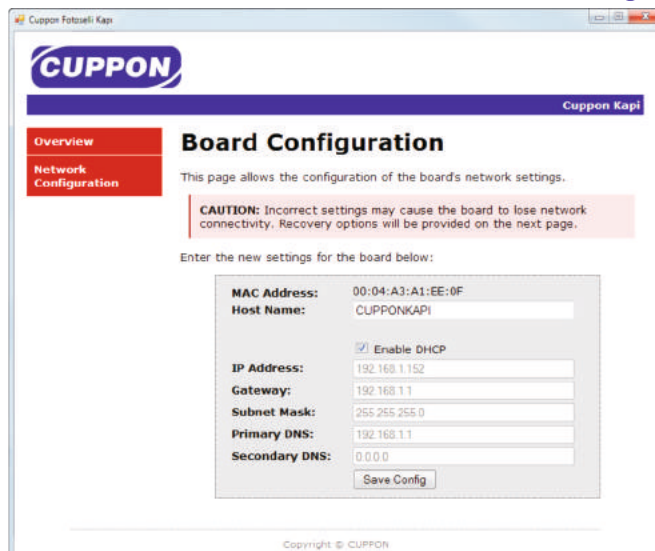


When you click on the second row, a new menu appears on the screen.



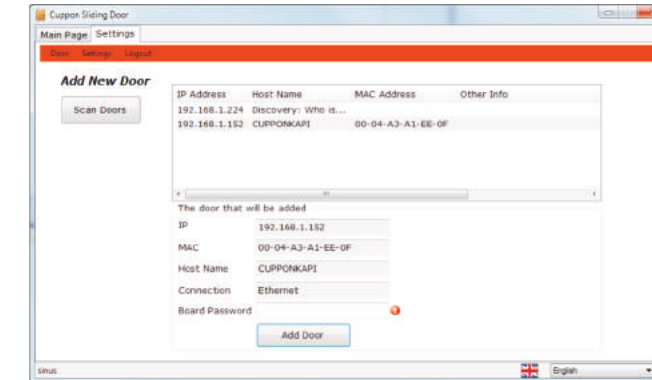
P.S: If there are multiple door network interfaces on your network, you can see all of them on the list above.

If you double click on the door interface, your default web browser opens the web page below. The page is password protected and username is “admin” (without quotes) and password is “01234567” (without quotes). You can see the network details on this page. You need to set up a static IP for the network interface so that its IP is not changed by DHCP server later

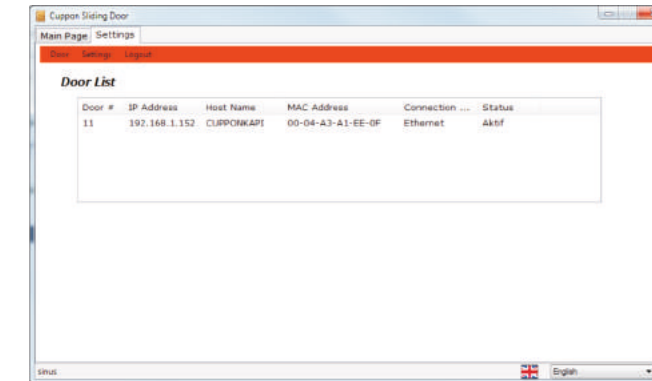


PC SOFTWARE INSTALLATION

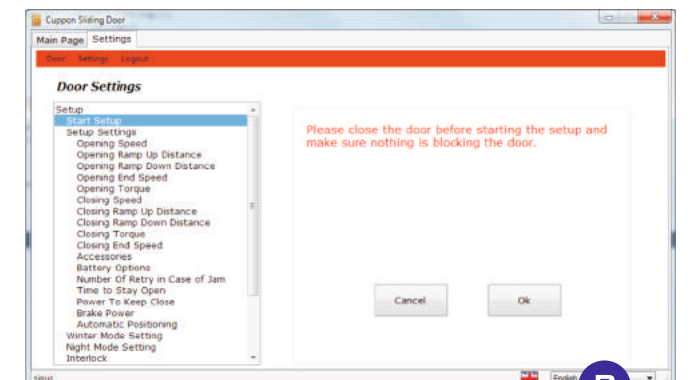
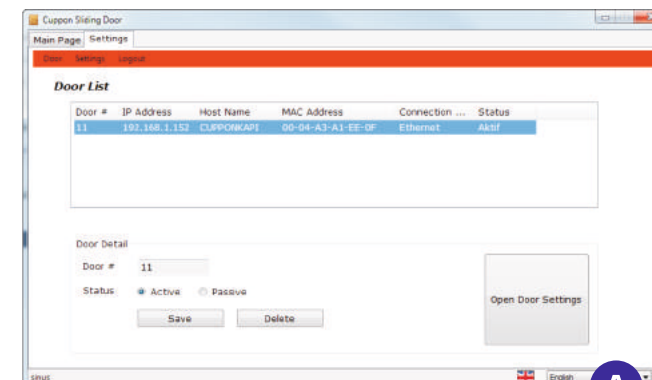
The default password “01234567” (without quotes) is entered into password field and “Add Door” button is clicked and then the door interface is added to our database



Click Door > “List Doors” menu item on the top left to see the registered doors.

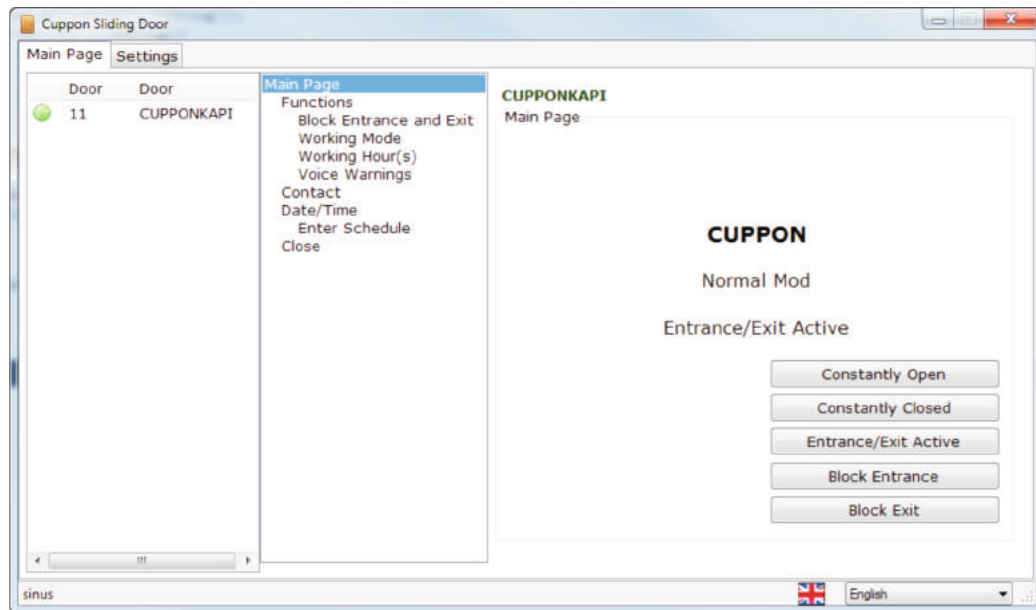


A) When you click on the registered door, a new menu appears on the screen below.
B) If you click the button “Open Door Settings” on the bottom right, you can see the menu to change the door settings.

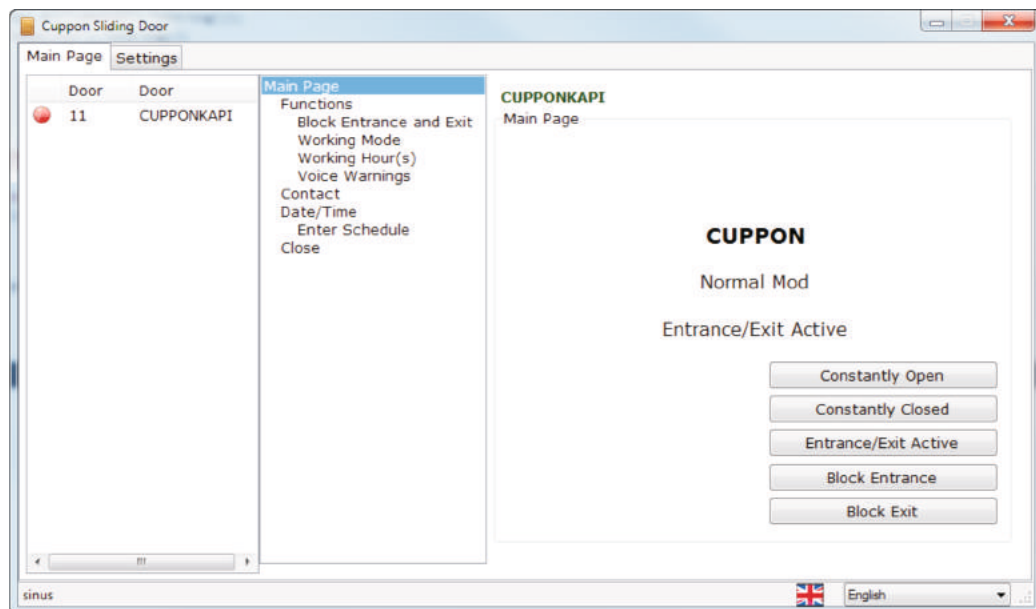


PC SOFTWARE INSTALLATION

When you click the "Main Page" top on the top left, you can see front panel of the door. If the color of bullet in front of the door name is green then it means everthing is fine on the door.

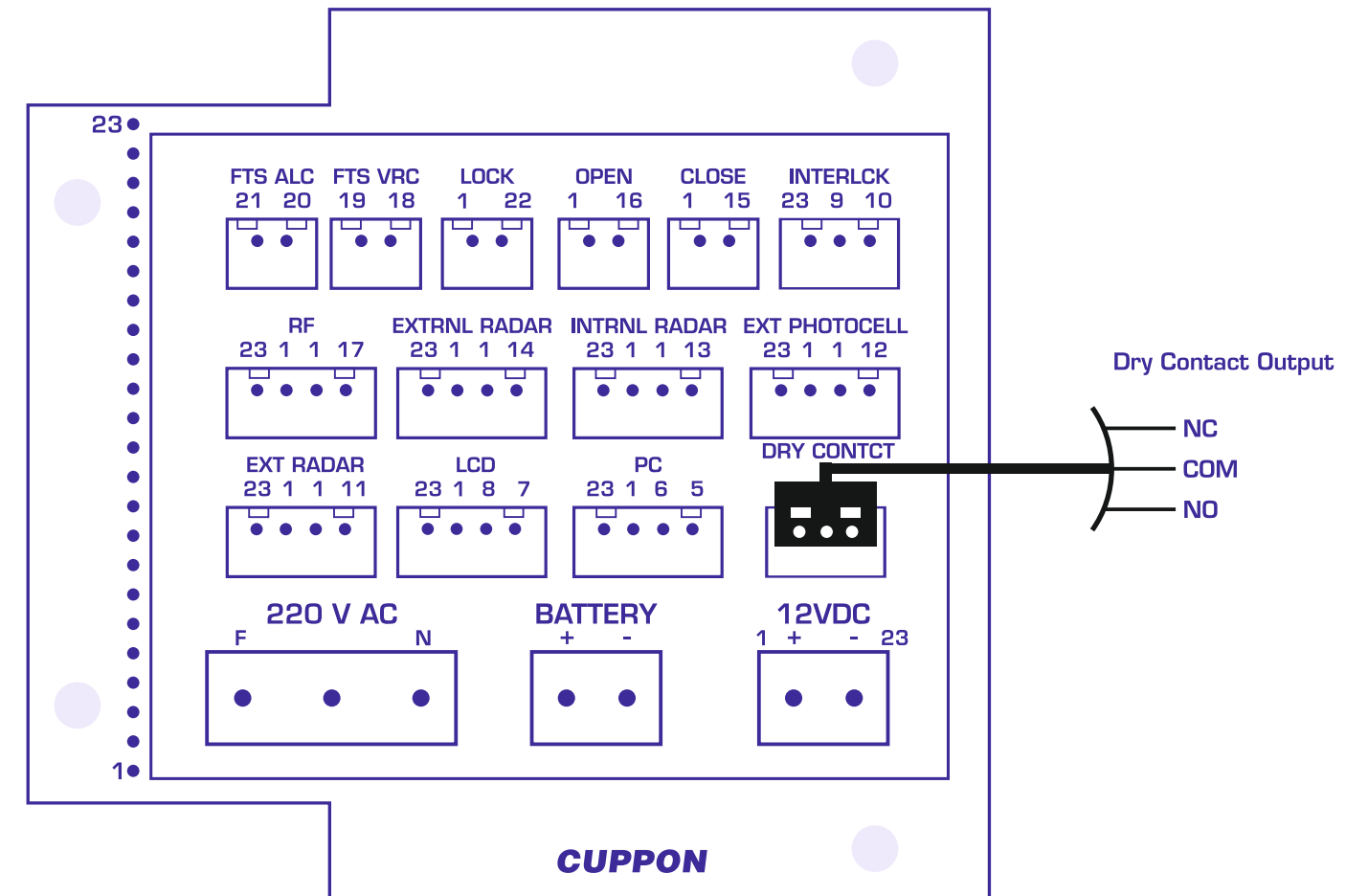


If you see a red bullet then it means there is something wrong with the network configuration.



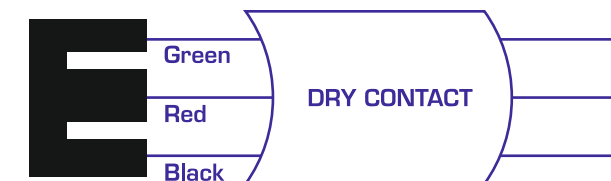
OPERATION FUNCTIONS

Dry Contact



Dry Contact Output

NC
COM
NO



Dry Contact Cable:
3 pin, 1 mt. long / black cable socket
Dry Contact
Black : NC - Normally Close
Red : COMMON
Green : NO - Normally Open

OPERATION FUNCTIONS

External Hardware



SDA
Wired Touch Type
Switch

External hardware such as SNRF Numerator & RF Card Reader, SDA Touch Switch, SELS Hand Sensor can be connected to the system using the Extra Radar input.

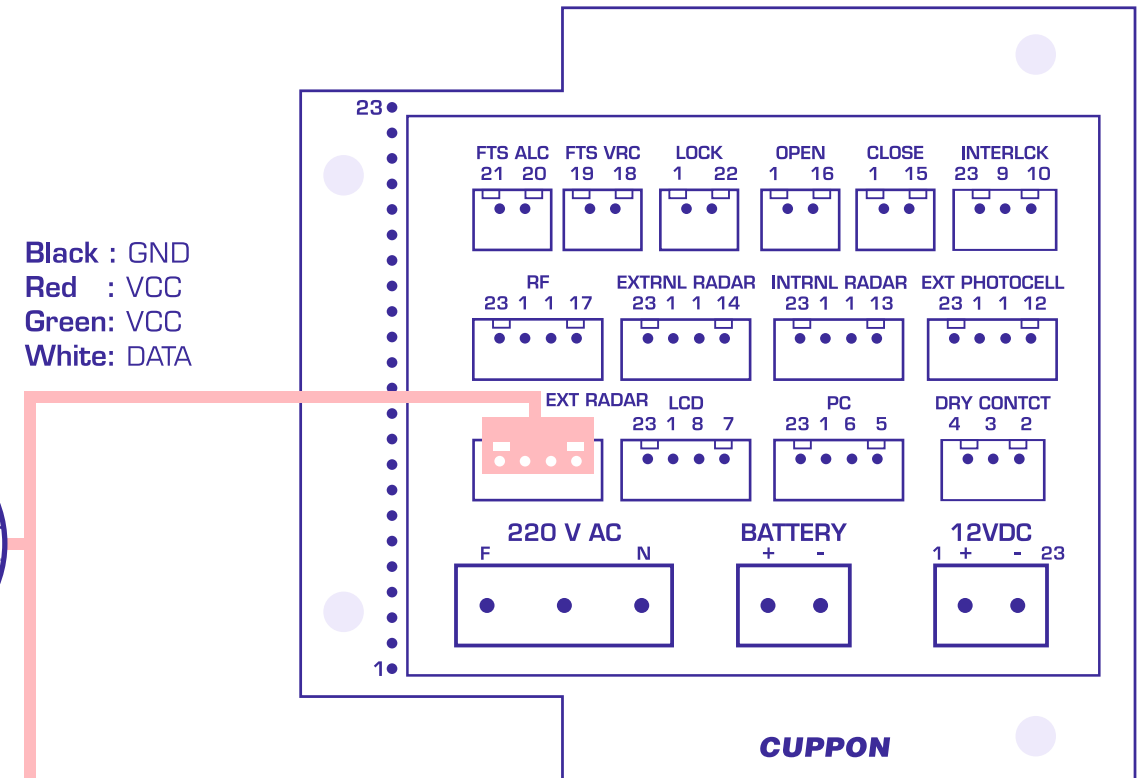
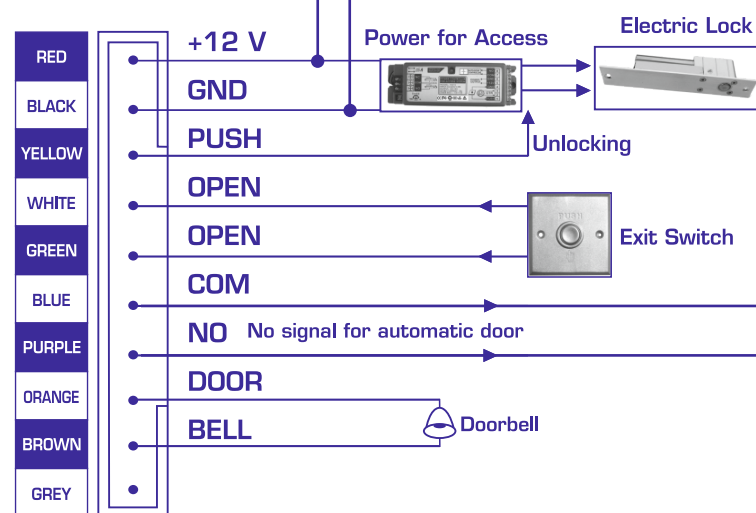
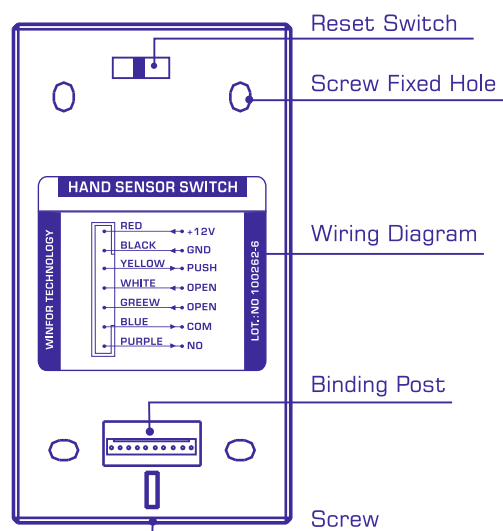


SNRF
Single Access
Controller

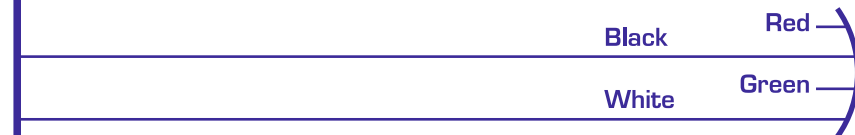


SELS
Hand Sensor
Switch

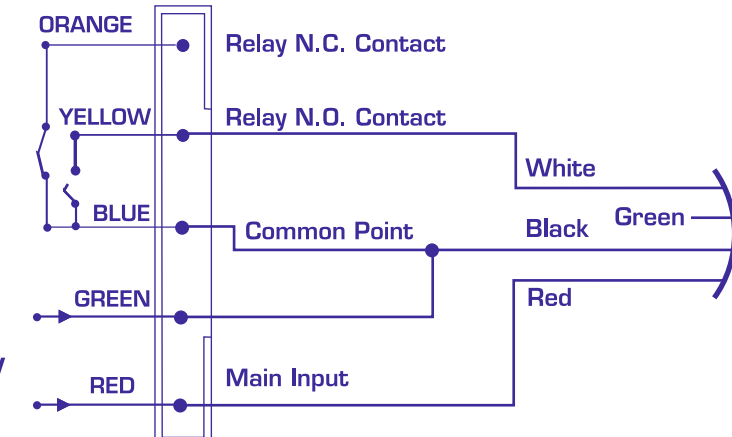
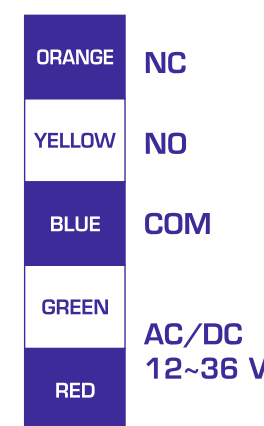
SNRF Single Access Controller



SDA Wired Touch Type Switch



SELS Hand Sensor Switch



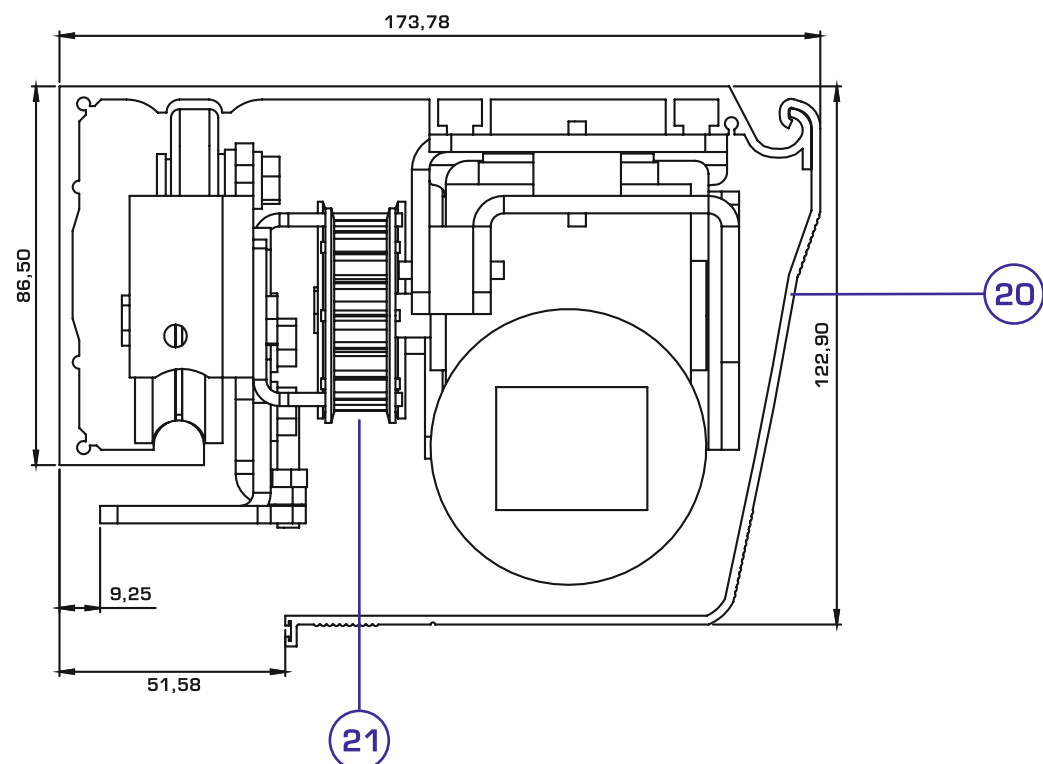
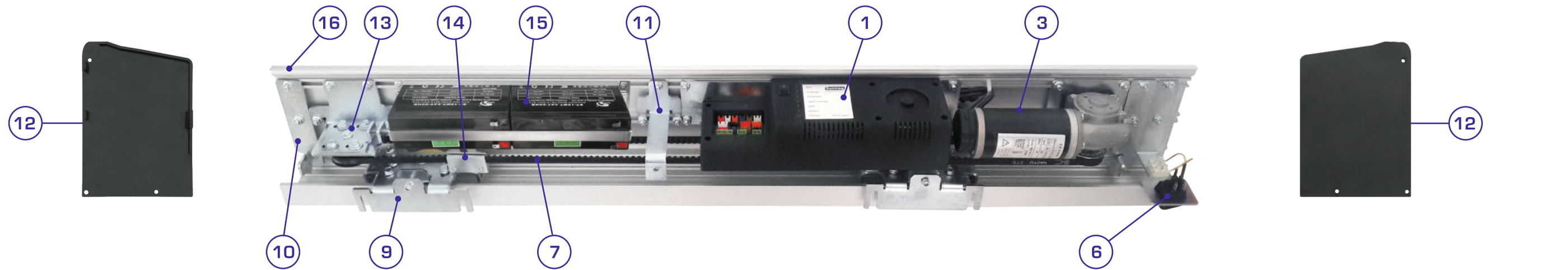
MECHANICAL INSTALLATION

The product you bought is designed to be used with different hardware and equipment. Before proceeding the mechanical installation, please read all mounting instructions and watch the mounting video delivered with the product and follow the instructions.

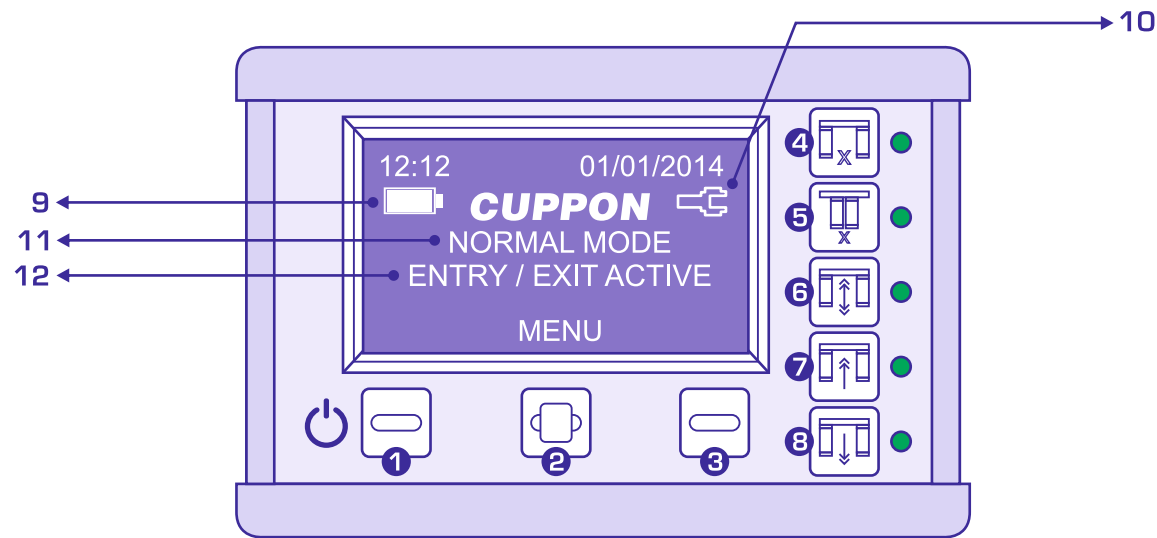
Before mounting:

- Check and ensure if the door wings are within the anticipated operation limits, (in case of doors heavier than 100 kg, mount 2 wheeled holders to each door wings, in order to provide weight distribution.)
- If the wall or the structure that the product to be mounted is appropriate to regulations,
- If the wall or the structure on which the product to be mounted is plain, smooth and vertical to the floor.

- | | | |
|--|--------------------------------|---------------------------------|
| 1. Microprocessor Control Unit | 8. Cables | 15. Battery & Charger |
| 2. Security Photocell (Receiver - Transmitter) | 9. Dual Carrier Roller | 16. Aluminium Frame |
| 3. Encoder Motor | 10. Stopper | 17. Electronic Lock |
| 4. Radar Movement Sensor | 11. Door Stabilizer | 18. RF Receiver |
| 5. Digital Position Switch | 12. Covers | 19. External Photocell |
| 6. Power Button | 13. Idler | 20. Aluminium Frame Upper Cover |
| 7. Slide | 14. Slide Connection Equipment | 21. Motor Pulley |



DIGITAL POSITION SWITCH



All door settings should be done on Digital Position Switch.

1-2-3) Navigation, confirmation and turning back to previous menu is provided by these buttons. Transactions are made in accordance with the notes on buttons. "1" is used to open the door.

4) Steady opened button: The door opens and remains opened when this button is pressed.

5) Steady closed button: The door closes and remains closed when this button is pressed.

6) Entry exit active button: Door allows entry and exit when this button is pressed.

7) Entry prevention button: Door does not allow entry when this button is pressed.

8) Exit prevention button: Door does not allow exit when this button is pressed.

9) Battery powered operation: This symbol indicates that the electrical network is out and the power is supplied from battery. (This is optional)

10) Service maintenance: This symbol indicates that the service maintenance is required for the door. This symbol is shown when malfunction or maintenance time is over.

11) Operation Mode: In this section, the selected mode of door operation is indicated. (Normal mode, night mode, wintery mode)

12) State of Operation: In this section the state which is set by buttons is shown on the screen, it is also shown by the led lights near the selected state button.

OPERATION MODE ADJUSTMENT

Door operates in 3 different modes.

- Normal Mode
- Wintery Mode
- Night Mode

Normal Mod

This is the mode that the door is completely opened and closed in which all functions are active. When it is desired to open the door manually, it detects and moves towards the opening direction.

Wintery Mode

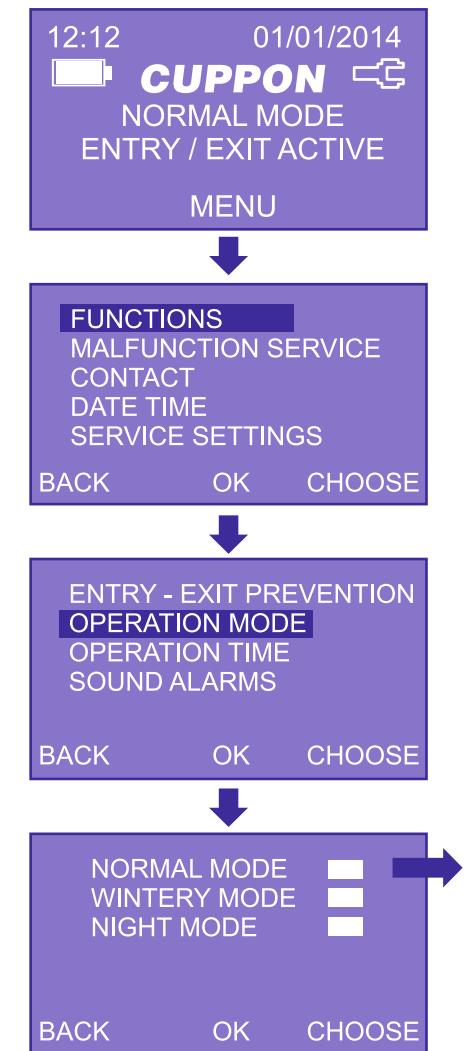
The door is provided to be opened partially, in order to save temperature and the door is adjusted to remain open for 1 second. The door opening is measured by service personnel.

Night Mode

The door is provided to be opened in a short range for security reasons, when the door is forced to open more, it is closed by counter effect. The door opening is measured by service personnel.

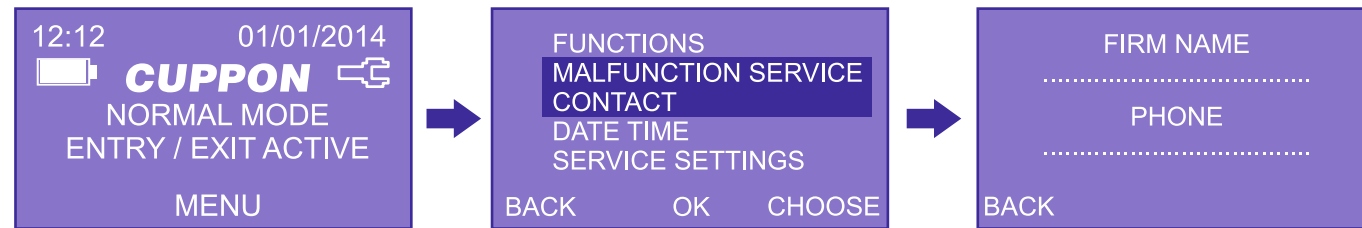
Changing the Mode

The access procedure to the menu is shown near. The mode desired is selected by "SELECT" button. Push the button with arrow mark led light is flashing, the thick mark is displayed in the box, by pushing the "OK" button it is completed and exit the menu.



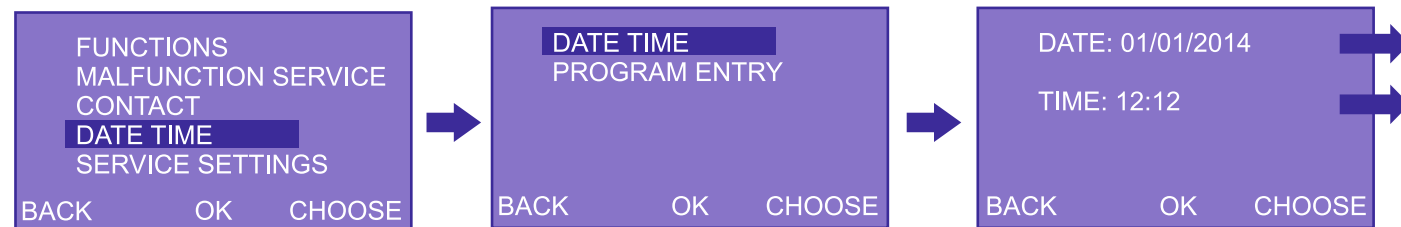
SERVICE CONTACT INFORMATION

This section is used to provide the user to have easy access to the service personnel in case of malfunctions. The company name and phone numbers are kept here and, those information should be registered from the service menu by the service personnel.

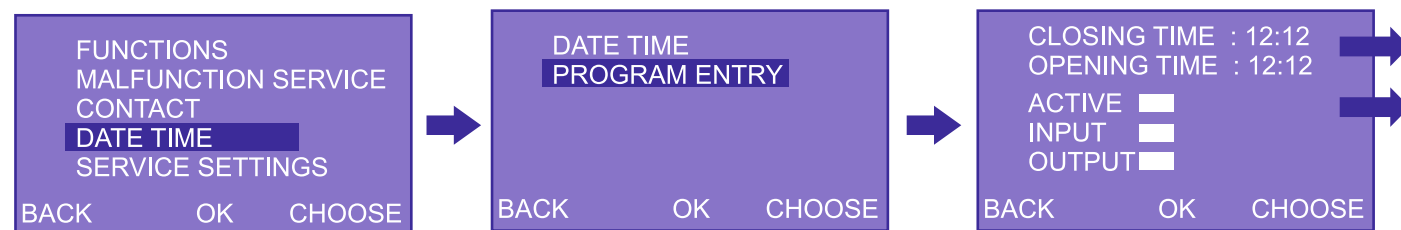


DATE- TIME ADJUSTMENT

After accessing the menu as shown below, the value which is desired to be changed is adjusted by using the "SELECT" button. The values in the buttons which are shown by arrow marks are increased or decreased. Save the values by pushing "OK" button, and exit menu.

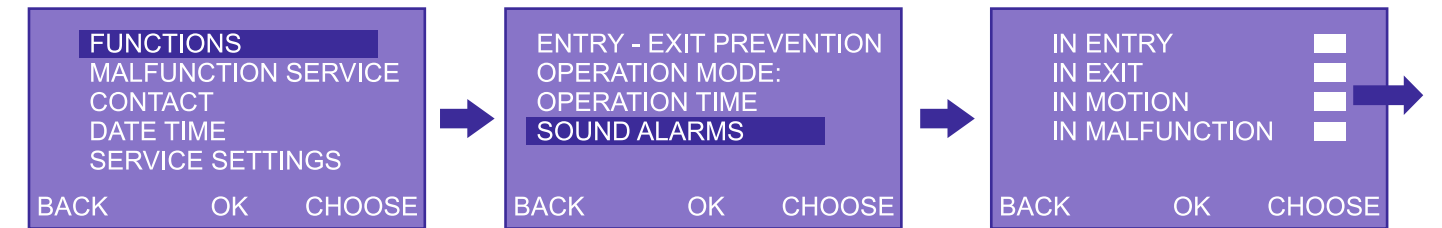


OPERATION TIME PROGRAMMING



SOUND ALARMS

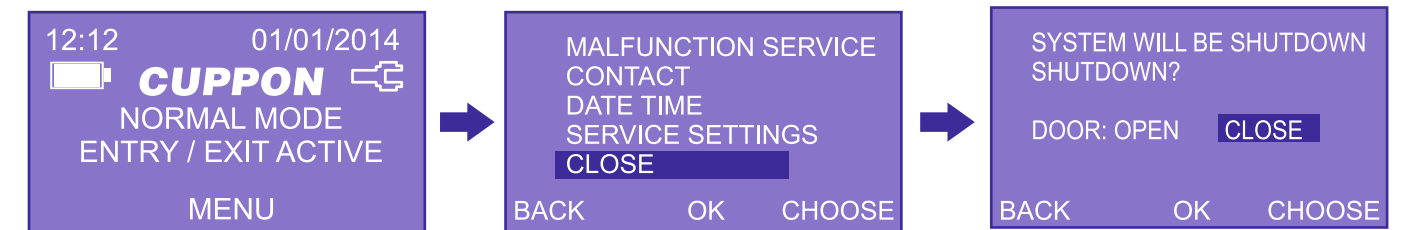
The settings here warns you if there is a notification on the screen during the door is opening or closing and each of these states can be adjusted separately.



SHUTDOWN

SHUTDOWN

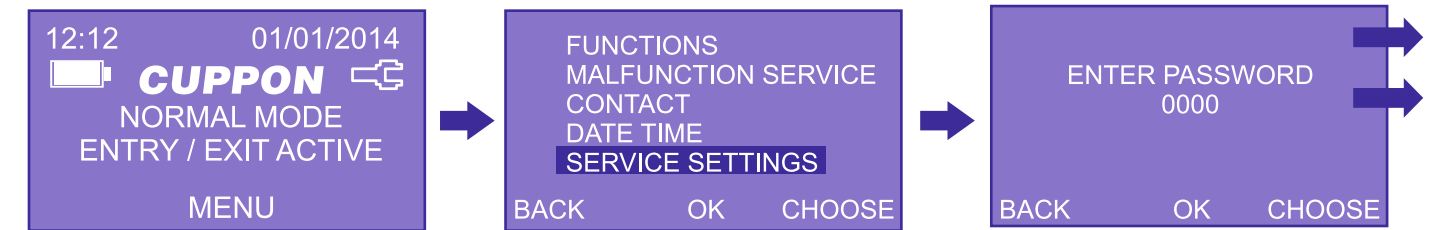
Before the door is closed, it asks in which location the door will be closed and after it gets the location the door closes.



SERVICE SETTINGS

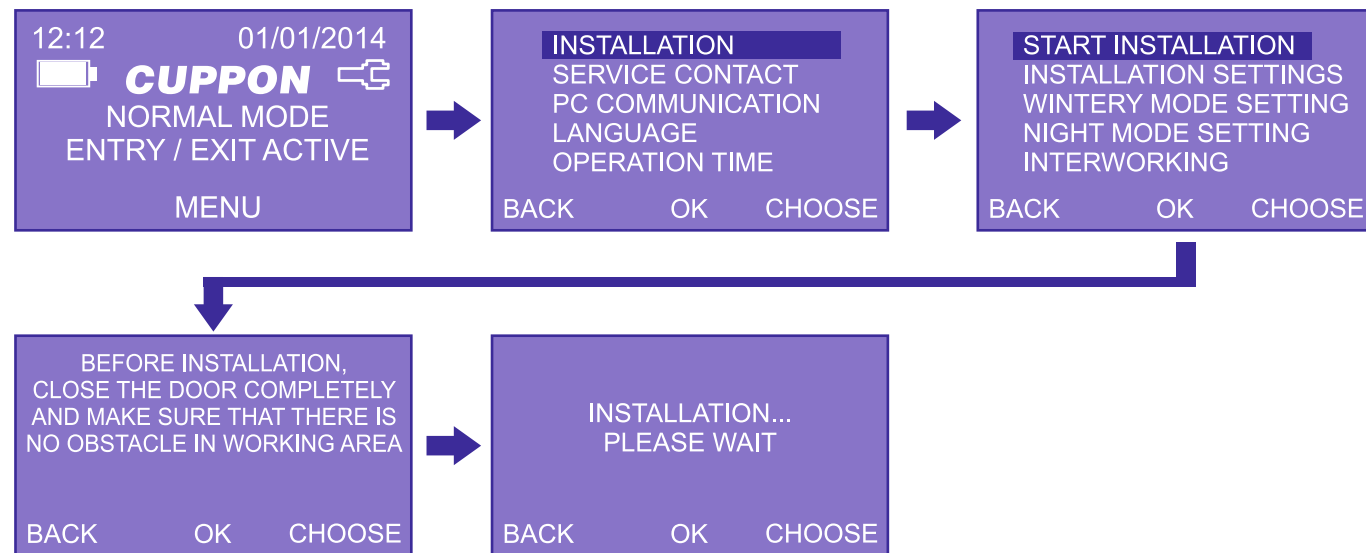
CAUTION: The access to the service settings is possible with password, there is not any adjustment that can be done by user in this menu. The changes done unconsciously may cause personal damages or door malfunctions.

The password includes 4 digits and it is written with the buttons having arrow mark and after pushing "SELECT" button the next number is written. You can access with "OK" button.



INSTALLATION

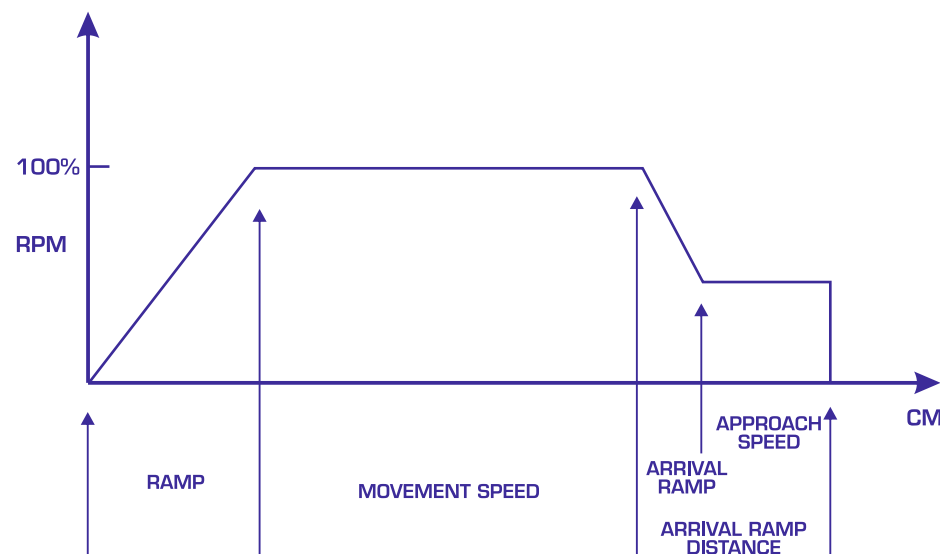
Installation adjustments are done as explained above. The measures, weight and the required speed in accordance with these values of the door are adjusted from this menu.



INSTALLATION SETTINGS

CAUTION: The incorrect door settings may cause hard impacts.

The motion graphic of door is as in the graphic shown below. Each condition of this graphic can be changed separately for opening or closing. The settings in this graphic are as they are shown in right below, and consisted of centimeters and percent (%) units.



- Opening Speed
- Opening Takeoff Ramp Distance
- Opening Arrival Ramp Distance
- Opening Berthing Speed
- Closure Speed
- Closure Takeoff Ramp Distance
- Closure Arrival Ramp Distance
- Closure Berthing Speed

TIGHTENING TORQUE SETTING

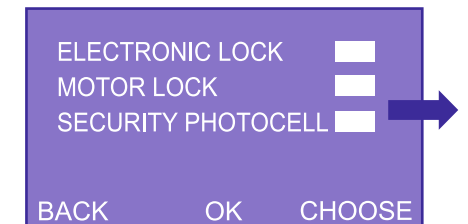
The tightening torque values of both opening and closing directions can be set separately. If the value is set below the required value, the door often detects obstacle. If the value is set above the required value, personal injuries or mechanical malfunctions may occur during compaction. After the value is registered, compaction should be checked and endured that the setting is correct.

ACCESSORIES

CAUTION: The settings here are inactive after installation. The accessory that is mounted after installation should be activated before operation.

Electronic Lock

Upon activation the operation of the electronic lock that is mounted to the door. In addition, the electronic lock applies pressure to the door towards the closing direction of the door, before the opening movement and provides movement of the lock, in order to gain healthy operation of the lock system.



Motor Lock

If the motor lock is activated when the door is closed, it does not allow the door to be opened. When the door detects intervention, it forces the door to remain closed with counter effect.

Security Photocell

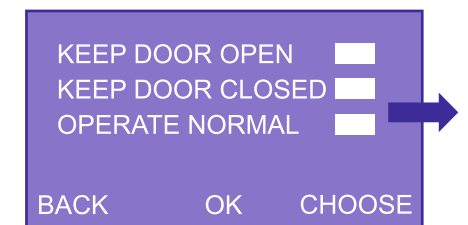
Safety photocell identifies the obstacle between, during the closing direction movement of the door.

ACCUMULATOR OPTIONS

The accumulator options identify the style of motion after the initiation of accumulator by the electrical network of the city cut off. The discharge durations of the accumulators vary in accordance with the selected option.

Keep Door Open

The door comes to open position and remains open until the electrical network is connected.



Keep Door Closed

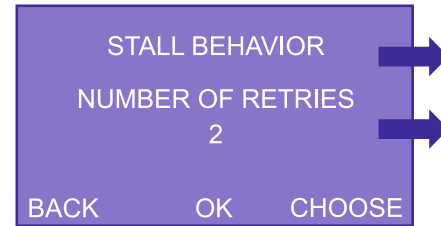
The door remains closed contrary to keep open option.

Operate Normal

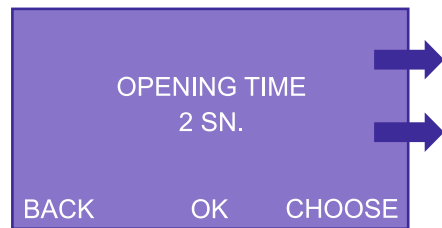
The door operates normally with the power coming from the accumulators, it can be operated almost 6 hours in accordance with the motion number.

COMPRESSION TREATMENT

If the door meets with an obstacle while moving towards closure direction, it moves towards opening position and again moves to closing direction with a 40% of its normal speed. If the obstacle still remains, it opens again. The number registered is used to indicate that how many times the door test the obstacle. After the test is completed, the door opens and gives error message. If the value is set as "0", the door moves towards opening direction and moves towards closing direction in its normal speed without testing obstacles. If the door detects an obstacle, it moves 10 cm towards closing direction and tests the opening direction with the same conditions.



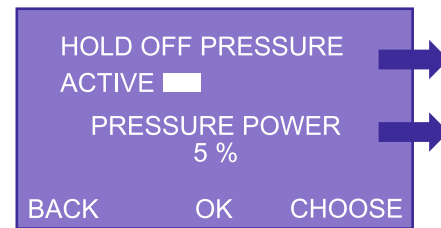
OPENING DURATION



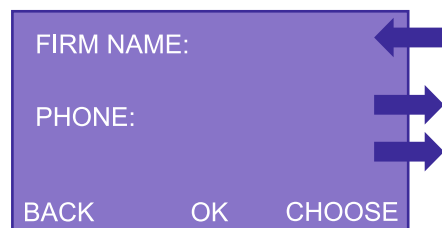
The opening duration is shown in seconds after the door is opened. It is adjusted minimum 1 second.

SHUTDOWN STRESS

When the door is in closed position, it continuously applies low stress towards closing direction. This stress is applied in order to provide better temperature insulation and the stressed can be adjusted within 5% to 30% of torque power. It is inactive after installation.



SERVICE INFORMATION PROGRAMMING

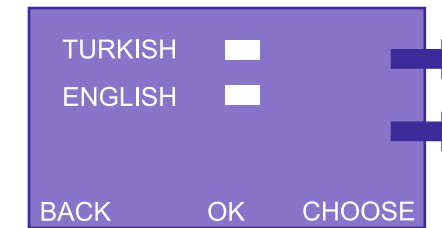


The information registered here are the ones shown in service contact information.

PC COMMUNICATION

This is an optional application, refer to PC Connection section on page 19, for details.

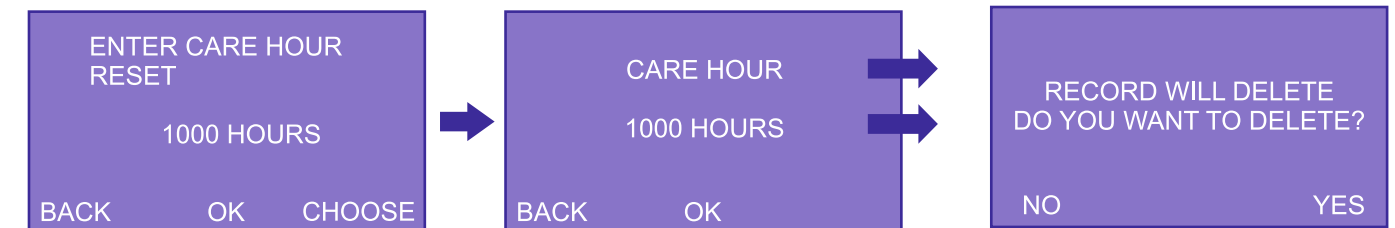
LANGUAGE



The language adjusted here is used in service and user menus.

OPERATION TIME (MAINTENANCE TIME APPLICATION)

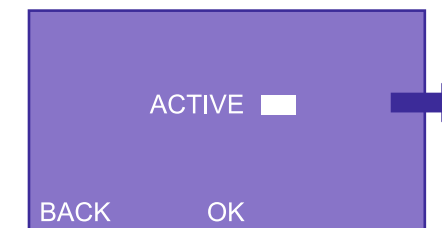
This application records the movement duration. At the end of the time adjusted here the icon which shows the maintenance is required is displayed. It also warns with short alerts 1 time in every 20 seconds. The meter is reset after the maintenance and the alarm is set again.



WINTERY MODE - NIGHT MODE ADJUSTMENT

It defines appropriate values in accordance with the door measures, during installation. The door is closed before changing the measures, and after that the door is opened by hand and the desired opening is adjusted. By pushing "OK" button the settings are completed. The door does not allow to record measures more or less than the required.

INTERWORKING



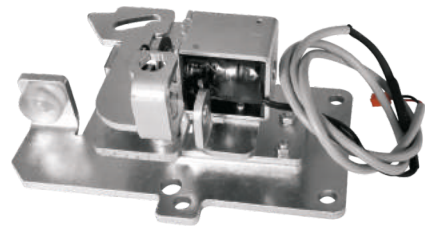
It is used in two-door applications for temperature insulation. The doors communicate with each other and the activated door gets position information from the inactive one. The inactive door does not open, when the active one is open

FACTORY DEFAULTS

All settings are deleted and installation is required again.

ACCESSORIES

Use only original accessories for CSD 200 automation systems.



Electronic Lock



Battery & Charger



SCKF-2 External Photocell



RF Receiver



Height Photocell & Control Unit



Ethernet & Wi-Fi Module


















FAILURE CONDITIONS

Problem	Reason	Solution
The power led on microprocessor is not flashing	The clamp coming from ON-OFF button may be failed to attach the 220V AC on the microprocessor.	Check the 220V AC connection on microprocessor assembly.
The microprocessor power led is not flashing although the 220 V socket connection has been made.	220V connection to the serial clamp on the ON-OFF button may be failed.	Check the serial clamp and be sure that the 220 V AC voltage is reaching the microprocessor assembly, when button is ON.
Obstacle detected.	The wings to be stopped on ray, the wings to be heavy and incorrect adjustments upon installation.	Check the wings with hands if there is any object, jump or such cases to cause stopping, and increase or decrease the motor torque settings and tightening treatment values to appropriate values in accordance with wing weight.
Obstacle is not detected.	Torque settings of DC motor to be high and the treatment value to be less than the required value.	Decrease the torque settings of DC motor's opening and closing directions, by considering the wing weight, from installation settings menu. You can optionally increase the tightening treatment value.
Installation is unable to process.	Failure in the encoder and supply connections of DC motor with microprocessor assembly.	Check the motor encoder and supply lead connections that provide communication between the microprocessor and the DC motor.
Microprocessor assembly is not operating with accumulator module.	Incorrect or counter connection of (accumulator) supply socket on microprocessor assembly.	Ensure that the supply probe coming from the accumulator module, is connected correctly to the socket on microprocessor assembly (accumulator).
The wings open and close slowly.	The prevention of wings on the ray by any object, the opening and closing speeds to be lower than required in installation settings menu.	Ensure that there is not an object to cause the wings to open or close slower than the speed defined. Decrease the opening and closing speeds to the desired value, from installation settings menu.
The wings do not open when the radar is active.	Incorrect connection of radar linkage cables or cutting of the cable connections.	Ensure that the radar connection cables are linked to the right color and in, out, extra radar inscriptions
Position switch is not working.	Digital position switch connection cable not to be connected to LCD socket.	Ensure that the digital position switch connection cable is connected to LCD socket

FAILURE CONDITIONS

Problem	Reason	Solution
The door operates irregularly.	Incorrect connection of any encoder and supply cables between microprocessor and the DC motor.	Ensure that the encoder and supply cables between the microprocessor assembly and the DC motor are connected correctly (matching the color codes with each other) and the connection is provided.
The microprocessor assembly works but the door does not move.	The door to be in opened or closed position on the digital position switch	Ensure that the operation mode "entry exit active" is selected on the digital position switch. Also refer to (The wings do not open when the radar is active)
Safety photocell is not working	The receiver and transmitter units of safety photocells not to be in same line and not to see each other. And also incorrect receiver and transmitter connections	Mount the safety photocells vertically, at the same height and at the right position to see each other. Also ensure that the receiver and transmitter connections are linked to right sockets
Safety photocell is working but it does not detect obstacles even there is.	Not activating the safety photocells from installation settings menu	Enable safety photocell by following; Menu > service settings > installation > installation settings > accessories > safety photocell menu
The electronic lock is not allowing the door to open.	Not to enable the electronic lock from installation settings menu	Enable electronic lock by following; Menu > service settings > installation > installation settings > accessories > electronic lock
RF remote control module is not working.	Incorrect connection of RF remote control module. Also not defining the 2BY remote control to the module.	Ensure that the RF remote control module is connected to the microprocessor assembly. Also, identify the remote control to the module by pushing the loading button and 1 button on remote control, after the connection is done.
External photocell module is not working	Incorrect connection of external photocell module. Also refer to (Safety photocell is not working)	Ensure that the external photocell module is connected to the microprocessor assembly. Also refer to (Safety photocell is not working)
The menus are not accessible on position switch.	Incorrect socket connection of digital position switch	Ensure that the digital position switch is connected correctly to the socket (LCD) on microprocessor assembly. NOTE: In this kind of circumstances, even the digital position switch is supplied, the menus are not accessible. This is also the same for products such as, RF module, external photocell module.

SAFETY WARNINGS

-  The manufacturer reserves the right to make changes if necessary.
-  The safety of the product is guaranteed only the product is connected to a grounding system properly. Manufacturer is not responsible, in case of these instructions are not followed.
-  Mounting of electrical parts must only be carried out by an authorized specialist. Maintenance and service should be practiced by only a specialist, authorized by the manufacturer company.
-  The product you bought can be used as a general entry and exit door. Do not use the product as an emergency exit.
-  Do not insert any foreign objects to rays and door mechanisms.
-  Do not prevent the door to be opened or closed by using any objects, equipment and machine; when the door is moving.
-  Do not force the door to open or close in any case.
-  Do not put flammable or ignitable objects near the door.
-  Do not reset the functions of faulty door without the help of an authorized specialist or without reading the mounting and installation instructions carefully.
-  Do not perform the procedures that must be carried out by an authorized specialist.
-  Do not put moving tools or materials in the detection area of the door radar.
-  Do not clean when the door is in automatic mode, prevent the electronic parts to contact with water.
-  Ensure that the system is shutdown during maintenance.
-  Never use force to the door and its accessories.
-  It is recommended that to keep the product mounting and operation manual and the DVD including the mounting video, in order to use in the future when needed.
-  Cut off the electrical supply, before proceeding in the system.
-  Ensure that the grounding is made correctly. Connect all metal parts with grounding leads (building, garden doors etc.) and all component of system to the grounding line.

