



USER GUIDE



www.cuppon.com.tr

INDEX

INTRODUCTION	2
WARRANTY CONDITIONS	2
INSTALLATION OF KGK	2-3
CONTROL PANEL	3
MOUNTING METHODS	4
REMOTE CONTROLLER	4
LOADING THE REMOTE CONTROLLER TO THE MEMORY	5
DELETING THE REMOTE CONTROLLER FROM THE MEMORY	5
SAFETY WARNINGS	5
FAILURE CONDITIONS	6
TECHNICAL SPECIFICATIONS	6

INTRODUCTION

Uninterruptible power supplies employed today are enabled automatically in case of power failures. This causes fast discharge of batteries due to internal consumption of power supplies. Very large battery groups are required to be used to extend the standby period. This means higher space occupation of the system and high costs. Since power supplies of remote controlled shutters are activated by remote controller in power failures, no consumption is realized at the moment of failure.

Thus, a standby period in excess of 4 days is realized. Remote controlled shutter power supplies ensure opening and closing operations of the shutter via remote controller since it employs a receiver unit in them.

WARRANTY CONDITIONS

- 1) Warranty period starts on the delivery date of the product and is 2 years.
- 2) All parts of the product are covered by our company's warranty.
- 3) Should the product fail within the warranty period, the period of repair shall be added to the warranty period. Reparation period of the product shall be maximum 30 business days. This period starts with the notification of failure in the product to service station, if there is no service station, to any one of those, vendor, dealer, agency, importer or manufacturer of the product.
- 4) In case that the product fails within warranty period because of material and workmanship defects, its repair shall be made without demanding any charge for labor, for the replaced parts or under any name whatsoever.
- 5) Failures resulting from using the product without observing the instructions in this operating manual are not covered by the warranty.

INSTALLATION OF KGK

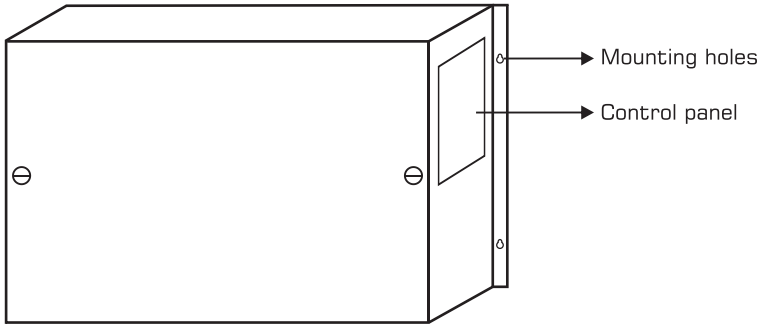
PLACE SELECTION

Since KGK operates with a remote controller system it shall be mounted on locations which is close to the facade. Otherwise, range of the controlled will be limited. Mounting location of KGK shall be visible and provide convenience for intervention in case of failure.

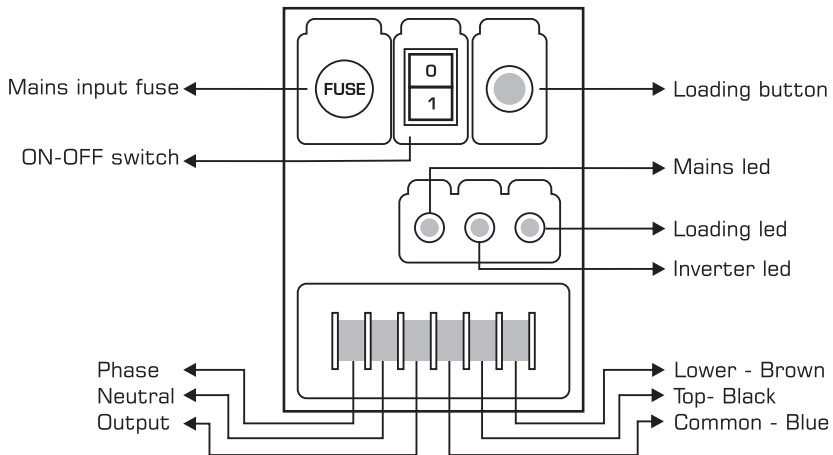
KGK shall be installed to locations which are away from fields which may cause magnetic field (electrical cable lines, electrical panels etc.). KGK shall not be installed in environments exposed to humidity, direct sunlight and high temperatures.

ELECTRICAL CONNECTION

Electrical connections of KGK shall be made by authorized personnel. Do not connect other devices to KGK except for shutter motor. Cables that are employed shall be one piece and have suitable cross-sections



CONTROL PANEL



ON - OFF SWITCH: Used for switching on-off KGK.

LOADING BUTTON: Used for remote controller pairing and memory deletion processes

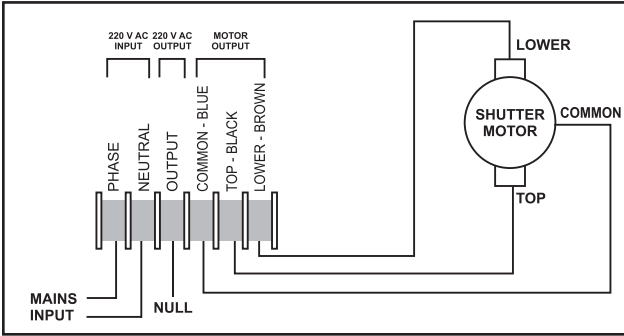
MAINS LED: Indicates that mains voltage is normal.

INVERTER LED: Indicates that the battery is being charged when mains voltage is normal.

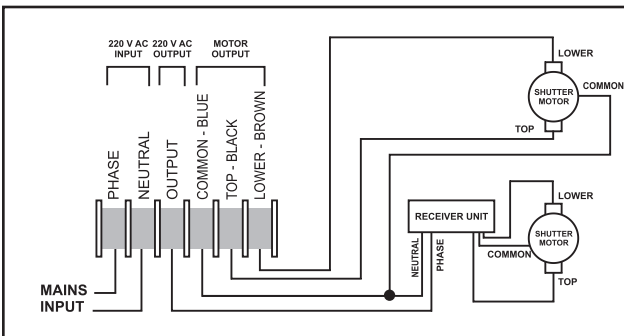
LOADING LED: Shows the status of controller loading and memory deletion operations.

MAINS INPUT FUSE: It is over current fuse.

MOUNTING METHODS



Used in case of 1 shutter



Used in case of 2 shutters

Used in case of 2 shutters. Button no 1 of the controller is loaded to KGY, button 2 is loaded to the receiver unit.

Attention: Shutters shall be operated in sequence.

REMOTE CONTROLLER



There are 4 command buttons on the controller. These buttons are used to control 4 shutters. Shutter opening, stopping and closing operations are realized by pressing the button successively. If the shutter does not move at your first press of the button release the button and press it again to operate the shutter

Keep button protection cover always closed when you don't use the remote controller.

If remote controllers working led does not lighting or low, please replace battery.



www.cuppon.com.tr

LOADING THE REMOTE CONTROLLER TO THE MEMORY

Move "ON/OFF" switch on KGK to "ON" position, press remote controller button and "LOAD" button on KGK simultaneously, loading LED will flash and sound warning will be heard. Loading operation will be completed when you release the buttons. You can load 42 password to KGY using this method. It will be sufficient to load only one of the (1-2-3-4) buttons on the controller for the loading process, loading more buttons will occupy memory space. Contact your dealer to load more than 42 passwords.

DELETING THE REMOTE CONTROLLER FROM THE MEMORY

Move "ON/OFF" switch on KGK to "OFF" position, keep "LOAD" button pressed down and meanwhile move "ON/OFF" switch to "ON" position, load LED will light and sound warning will be heard. Deleting operation will be completed when you release the button. **Attention:** All controllers loaded to the memory will be deleted from the memory when deletion process is performed.





RECHARGING

If there is mains voltage, KGK will commence automatic charging operation even if KGK is turned off. Disconnect mains voltage of KGK bimonthly and operate the shutters using battery power. Thus, you can extend the operating life of the batteries by performing discharge and charge cycle for the batteries.

STORAGE

Store the device between minimum and maximum temperature range of $-15...+30^{\circ}\text{C}$ indoors and charge the batteries at least semi annually. If the device is out of use, "ON/OFF" switch shall remain in "OFF" position in case of storage. Otherwise batteries may be subject to excessive discharge

SAFETY WARNINGS

-  This manual contains important safety instructions. Please follow all instructions in an order during installation. Read this manual carefully before commissioning the device.
-  To minimize fire and electric shock hazard, realize installation of the device, humidity and temperature control indoors.
-  **Risk of electric shock!** Live points can be energized and pose risk due to battery power supply even if there is no mains connection to KGK.
-  This KGK is designed exclusively for shutter systems and may not be used for other purposes

FAILURE CONDITIONS

If KGK does not operate in case of power failure

KGK batteries may be faulty, charger unit may be faulty. Contact your dealer.

KGK controller range is reduced

Batteries of your controller may be dead, there can be intensive power cable routing near KGK antenna, there can be interference on 433 Mhz band.

Contact your dealer.

If the shutter operates only at one direction

Motor output leads may be connected incorrectly. Correct the cables, KGK may have failed due to incorrect connection. Contact your dealer.

If shutter does not operate in case of power failure

Shutter may be jammed, batteries may be dead. Contact your dealer.

If mains LED does not light.

There may be no power supply to KGK. Fuse may have burnt.

TECHNICAL SPECIFICATIONS

Product Name	:R-GK 750 W	Grid Operation Range	: 150-270 VAC
Power	:750 W (1000 VA)	RF Operation Range	:433,92 MHz
Input Voltage	:220 VAC, 1 Phase	Type of Battery	:Full maintenance free dry type
Input Frequency	:50/60 Hz	Batteries & Lifespan	: 2 Pieces 12 V 7 Ah / 2 Y.Ears
Output Voltage	:220 VAC, 1 Phase	Charge Period	: 12 Hours
Output Frequency	:50/60 Hz	Stand by Period	: 4 Days / 100 Hours
Operation Temperature	:0° - 40° C	Controlling Range	:30 Meters
Net Weight	:12 Kg	Indicators	:Grid and inverter voltage led
Lifting Weight	:160 Kg.	Alarms and Warnings	:Warning on operation from the battery
Dimensions	:335x190x120 mm	Protections	:Overload protection
Options	:External receiver, up to 42 pieces of additional password loading		
Product Name	:R-GK 1500 W	Grid Operation Range	: 150-270 VAC
Power	:1500 W (2000 VA)	RF Operation Range	:433,92 MHz
Input Voltage	:220 VAC, 1 Phase	Type of Battery	:Full maintenance free dry type
Input Frequency	:50/60 Hz	Batteries & Lifespan	: 4 Pieces 12V 7 Ah / 5 Years
Output Voltage	:220 VAC, 1 Phase	Charge Period	: 12 Hours
Output Frequency	:50/60 Hz	Stand by Period	: 8 Days / 200 Hours
Operation Temperature	:0° - 40° C	Controlling Range	:30 Meters
Net Weight	:21 Kg.	Indicators	:Grid and inverter voltage led
Lifting Weight	:400 Kg.	Alarms and Warnings	:Warning on operation from the battery
Dimensions	:335x265x120 mm	Protections	:Overload protection
Options	:Harici alıcı ünitesi, External receiver, up to 42 pieces of additional password loading		



www.cuppon.com.tr

R-GK 750 W
R-GK 1500 W
SHUTTER UPS

WARRANTY

Seller's

Company Name:.....

.....

Name, Surname:.....

Phone:.....

Address:.....

.....

Invoice Date:.....

Invoice No:.....

Model:.....

Serial No:.....

Signature

Our products are guaranteed for 2 years against manufacturing defects.